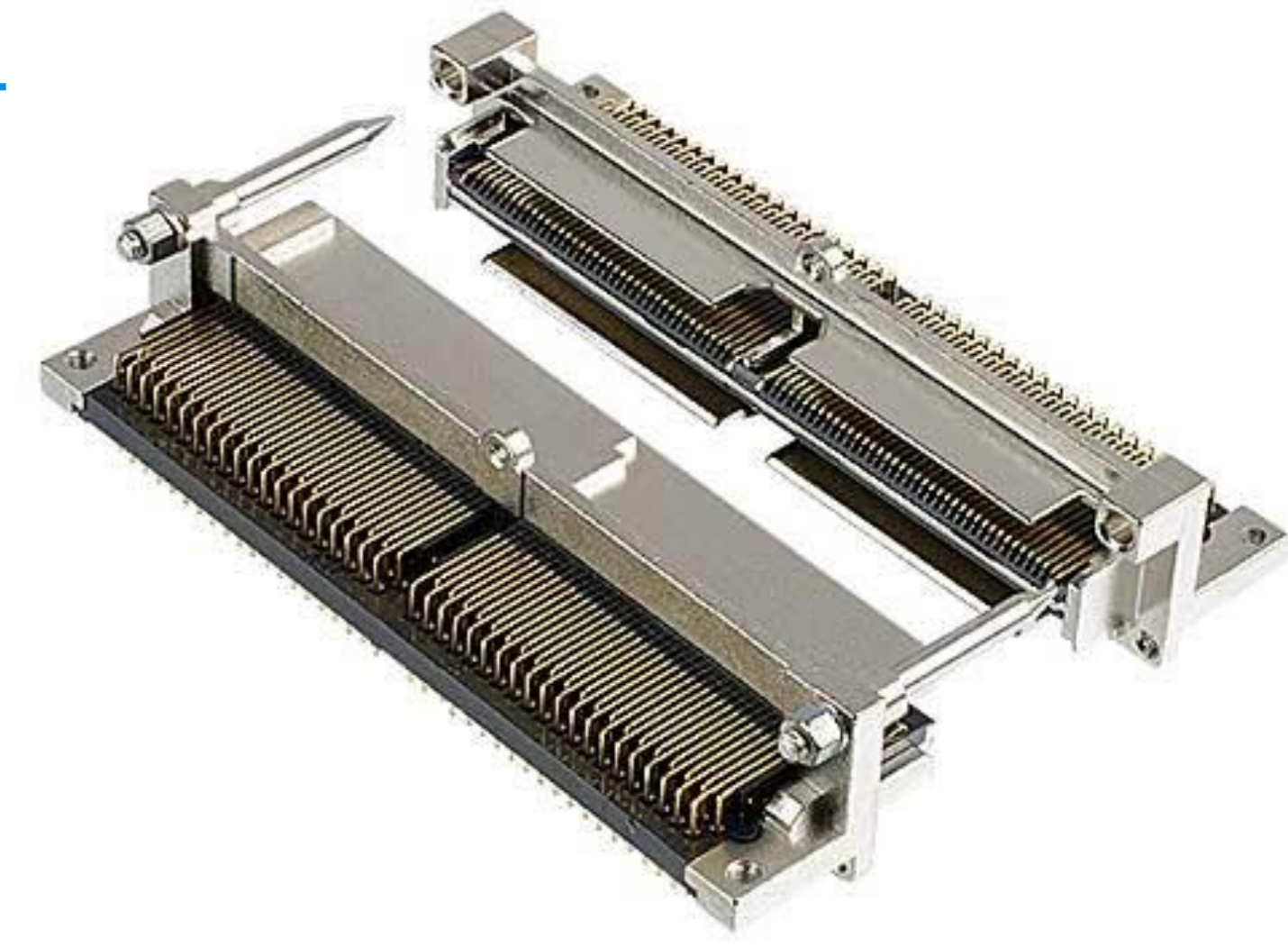


MINIDOCK™ SLIM

稳固的高pin数 Docking I/O连接器



Product Specifications:

Board Pitch		0.635 mm
Size	Height	9.9 ~ 16.9 mm (Plug) 11.13 ~ 22.53 mm (Receptacle)
	Width	Formula: 36.0 ~ 96.10 mm (Plug/Receptacle)
	Depth	9.9 ~ 17.8 mm (Plug) 11.13 ~ 22.53 mm (Receptacle)
Rating	Amperage	0.5 A AC/DC (per Contact Pin)
	Voltage	250 V AC/DC (per Contact Pin)

*如您需要了解未列出或不在范围内的Pin数，请咨询我们。

▶ 适合于多种应用的稳固型连接器(移动设备、仪器仪表、医疗器械等)

紧凑型公座

料号	Pin数	嵌合类型	端子类型	外观
30029	80	直角	2列	
30046	160		2列	

紧凑型母座

料号	Pin数	嵌合类型	外观
30030	80	直角	
30047	160		
30056	160	垂直	

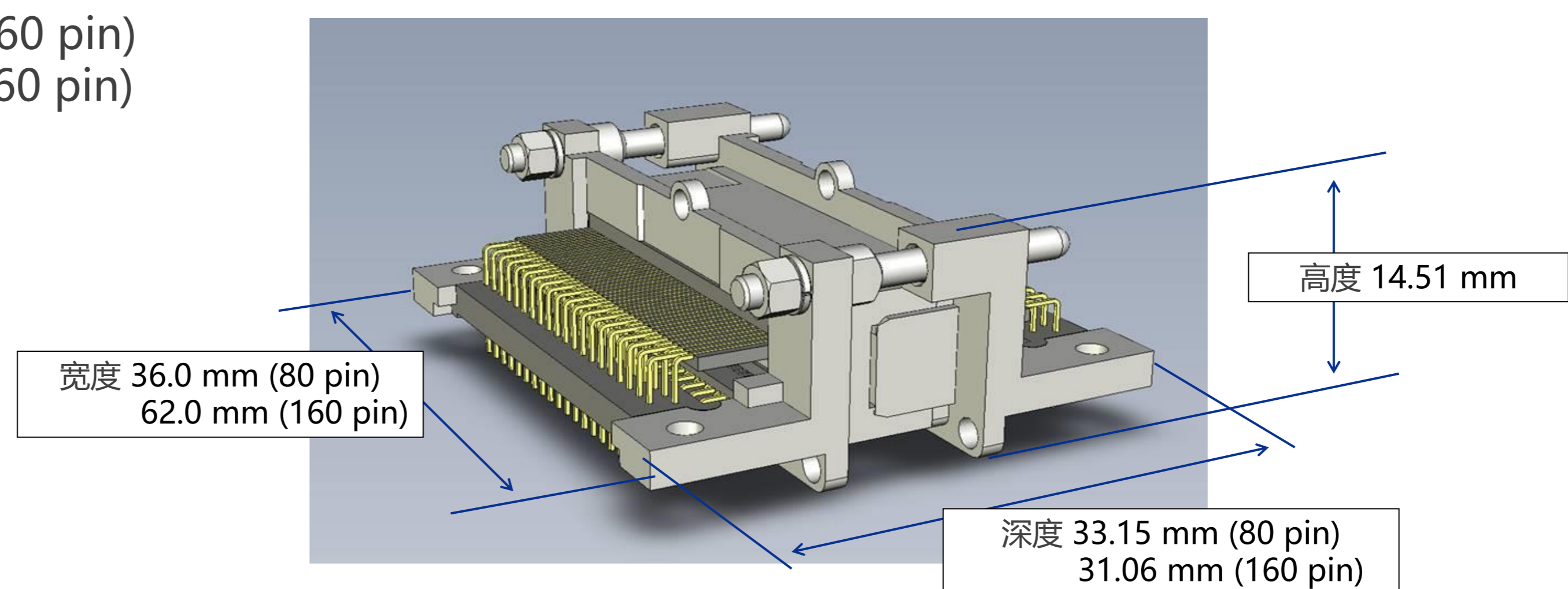
▶ 高达 5,000 次的插拔寿命

直角公座-直角母座一对

料号

•公座 30029 (80 pin), 30046 (160 pin)

•母座 30030 (80 pin), 30047 (160 pin)



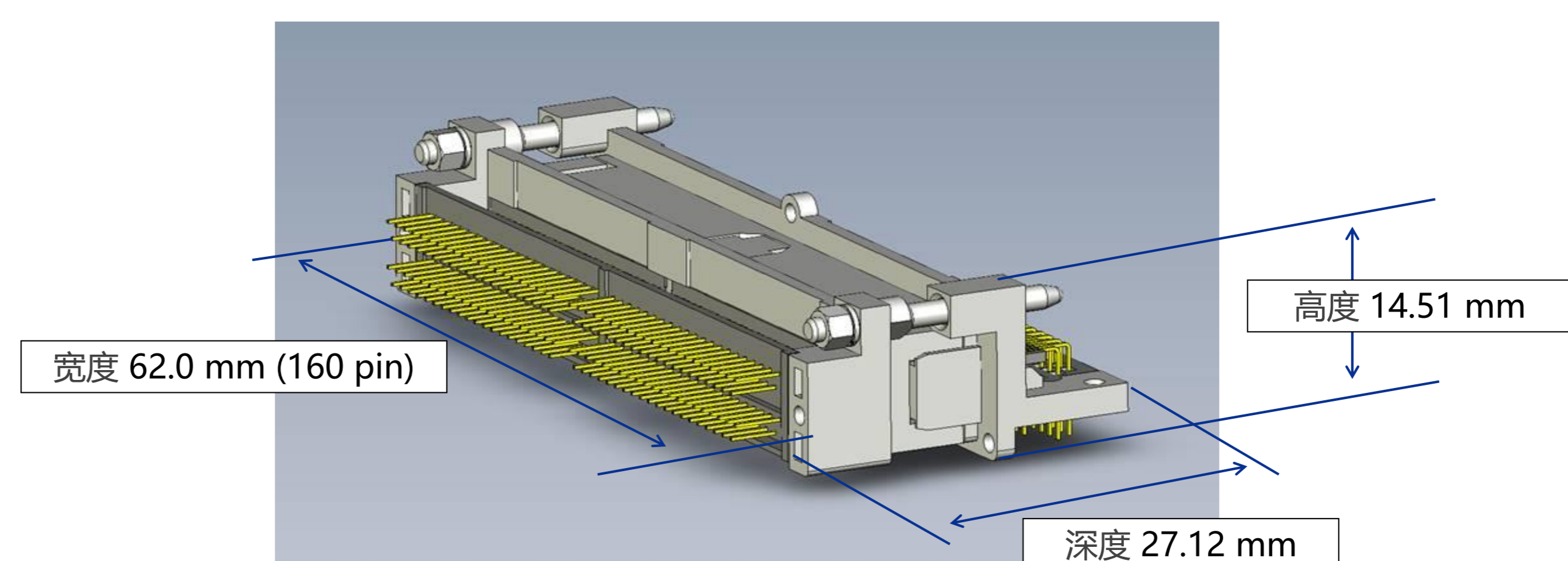
▶ 可选带螺丝的款式、具备理想的锁扣功能

直角公座-垂直母座一对

料号

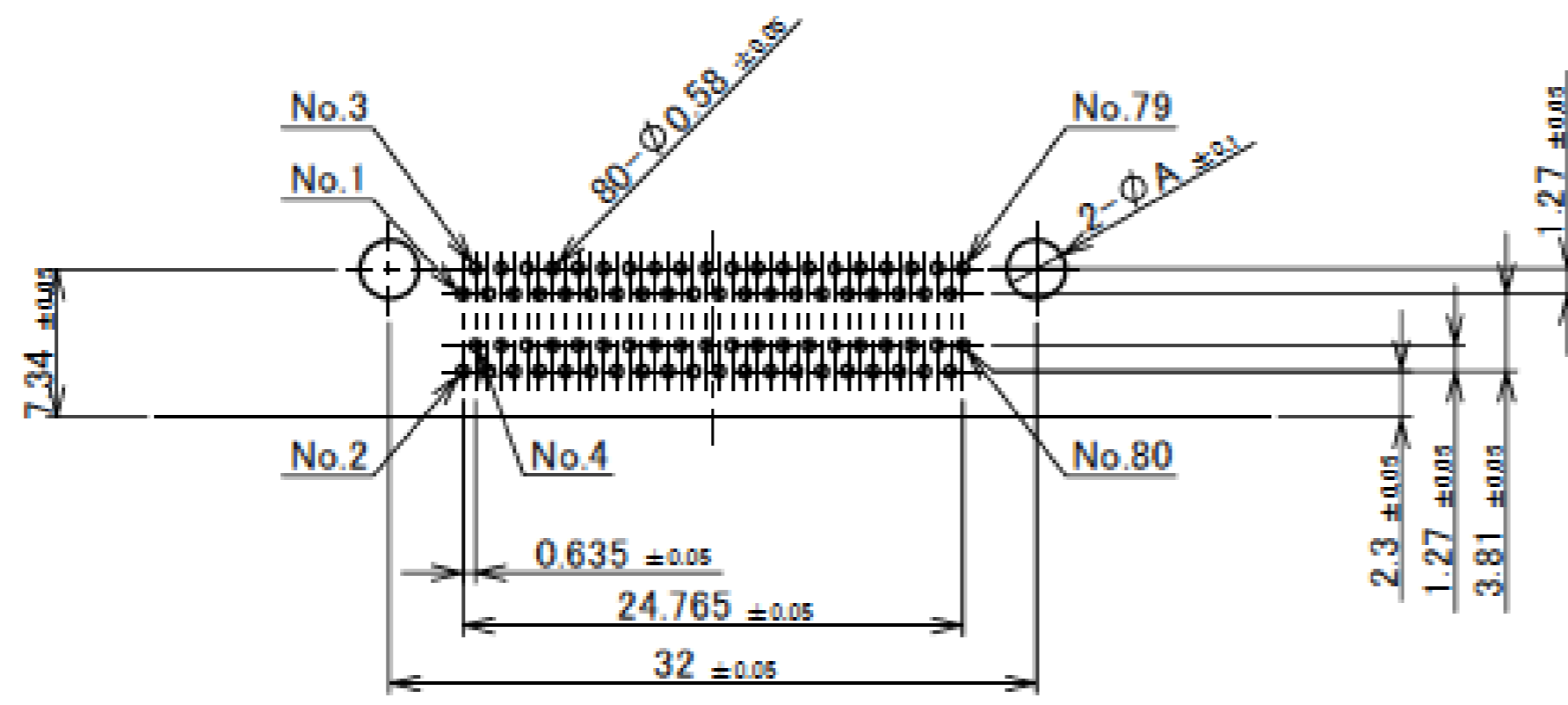
•公座 30046 (160 pin)

•母座 30056 (160 pin)

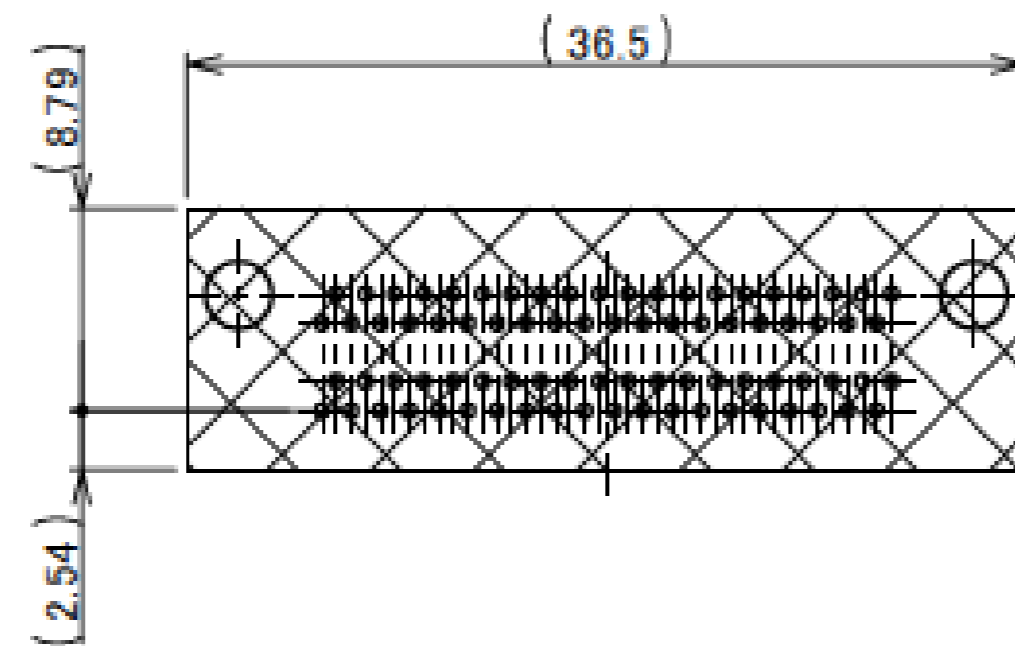


Plug Assembly

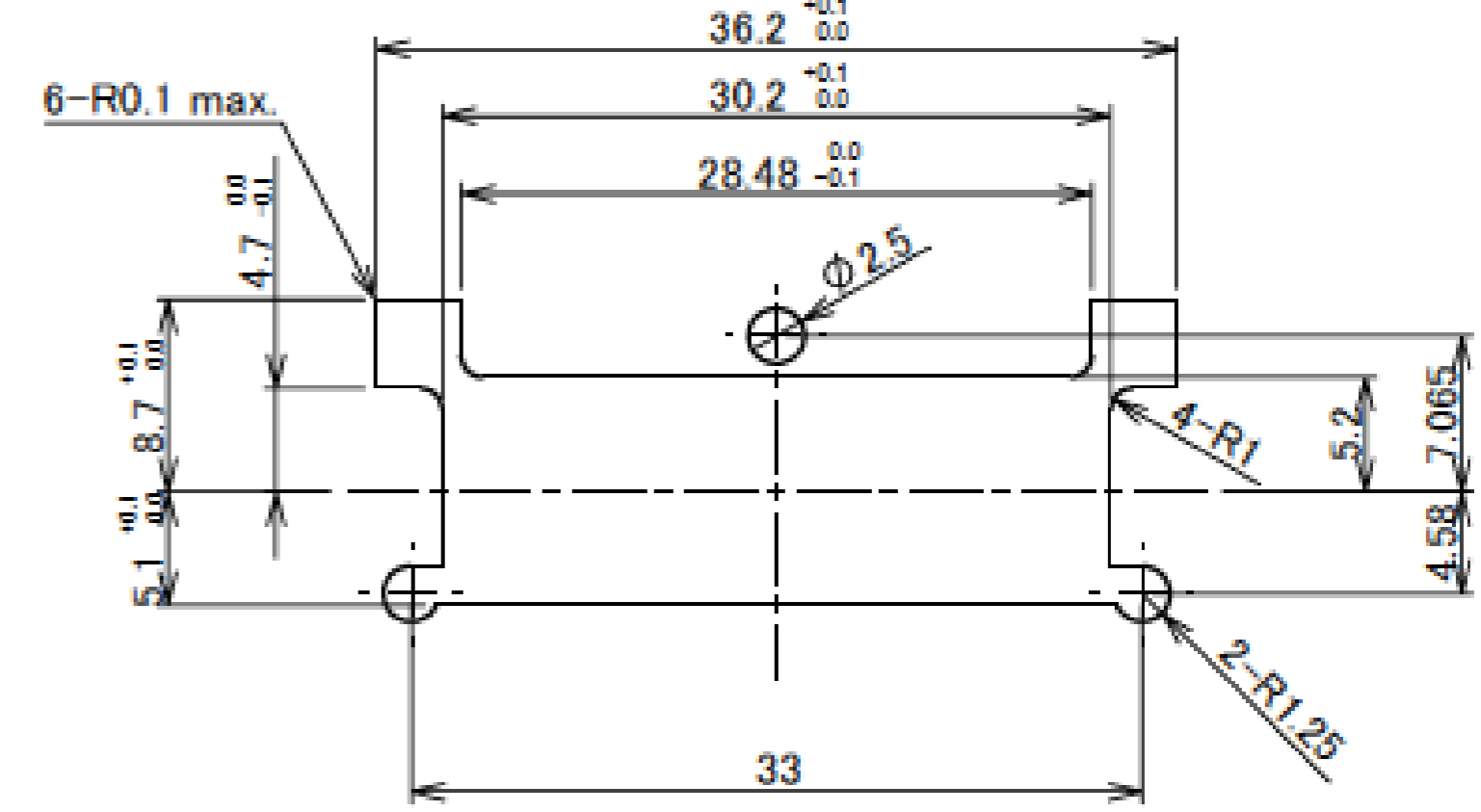
PART NO.	A
30029-080T-F	2.3
30029-080T-01F	2.3
30029-080T-02F	3.1
30029-080T-03F	3.1



RECOMMENDED FOOTPRINT PATTERN t=1.6



DO NOT MOUNT ANY OTHER COMPONENTS IN THIS AREA



RECOMMENDED PANEL

Rev.18

ITEMS	SPECIFICATION
RATING VOLTAGE	250V AC (PER CONTACT PIN)
RATING AMPERAGE (FOR CONTACT)	0.5A AC/DC (PER CONTACT PIN)
OPERATING TEMPERATURE	208~358K(-65°C~+85°C)
OPERATING HUMIDITY	85% MAX.
CONTACT RESISTANCE (FOR CONTACT)	INITIAL : 70mohm MAX. / AFTER TEST : \triangle 25mohm MAX.
INSULATION RESISTANCE	INITIAL : 10,000Mohm MIN. / AFTER TEST : 1,000Mohm MIN.
DIELECTRIC WITHSTANDING VOLTAGE	AC500V 1min
DURABILITY	5,000 CYCLES
MATING FORCE (INITIAL)	0.9N/pos. MAX.
UNMATING FORCE (AFTER TEST)	0.059N/pos. MIN.
COPLANARITY	-
PRODUCT SPECIFICATION	PRS-1011
TEST REPORT	TR-9020
PACKING STANDARD	300-141
INSTRUCTION MANUAL	-
APPEARANCE CRITERIA No.	QLS-A***

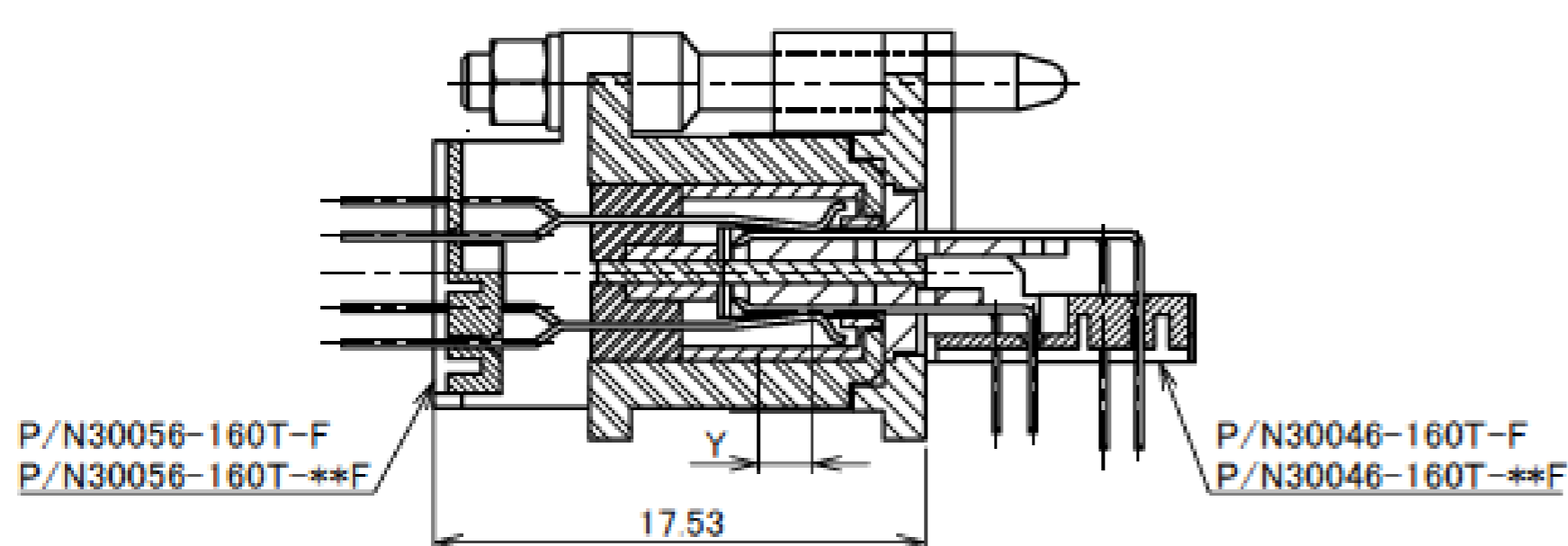
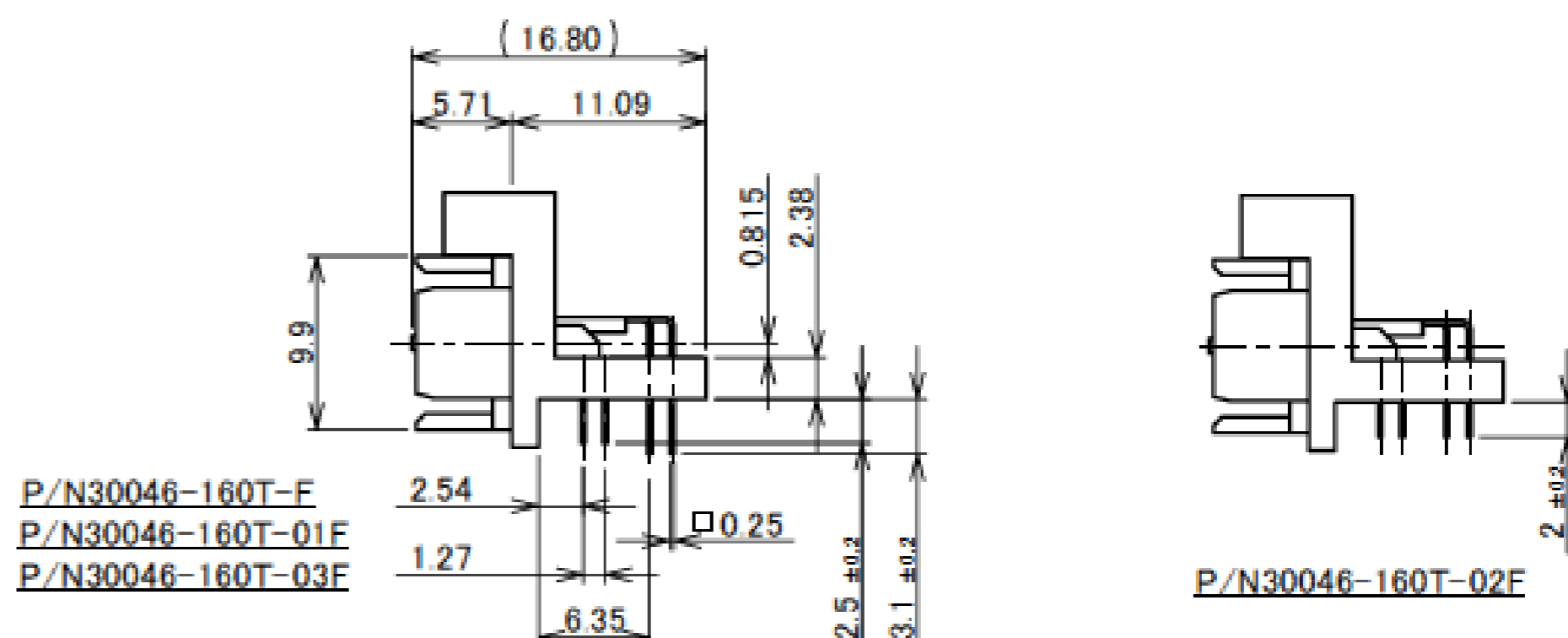
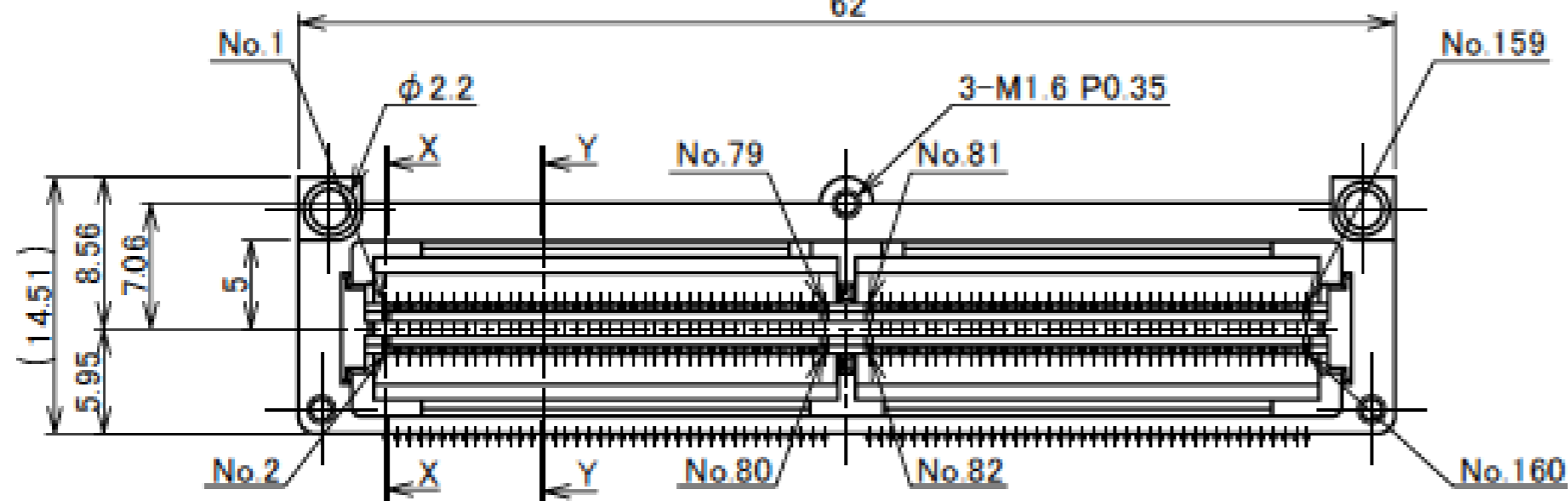
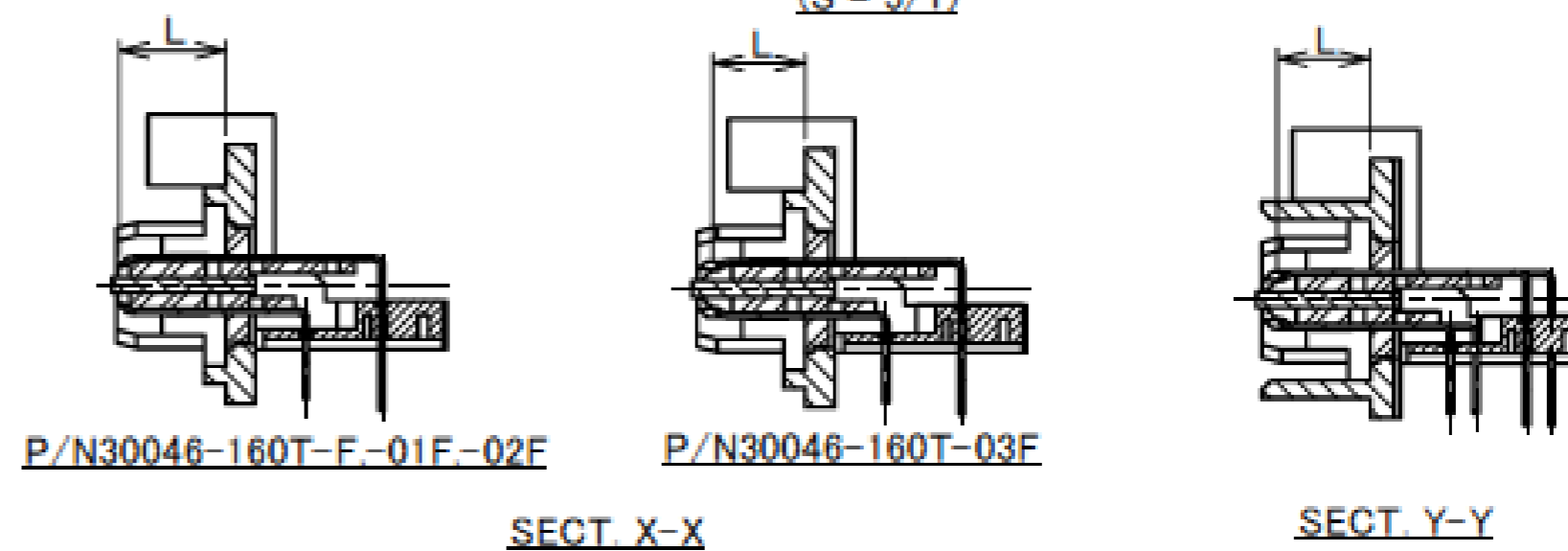
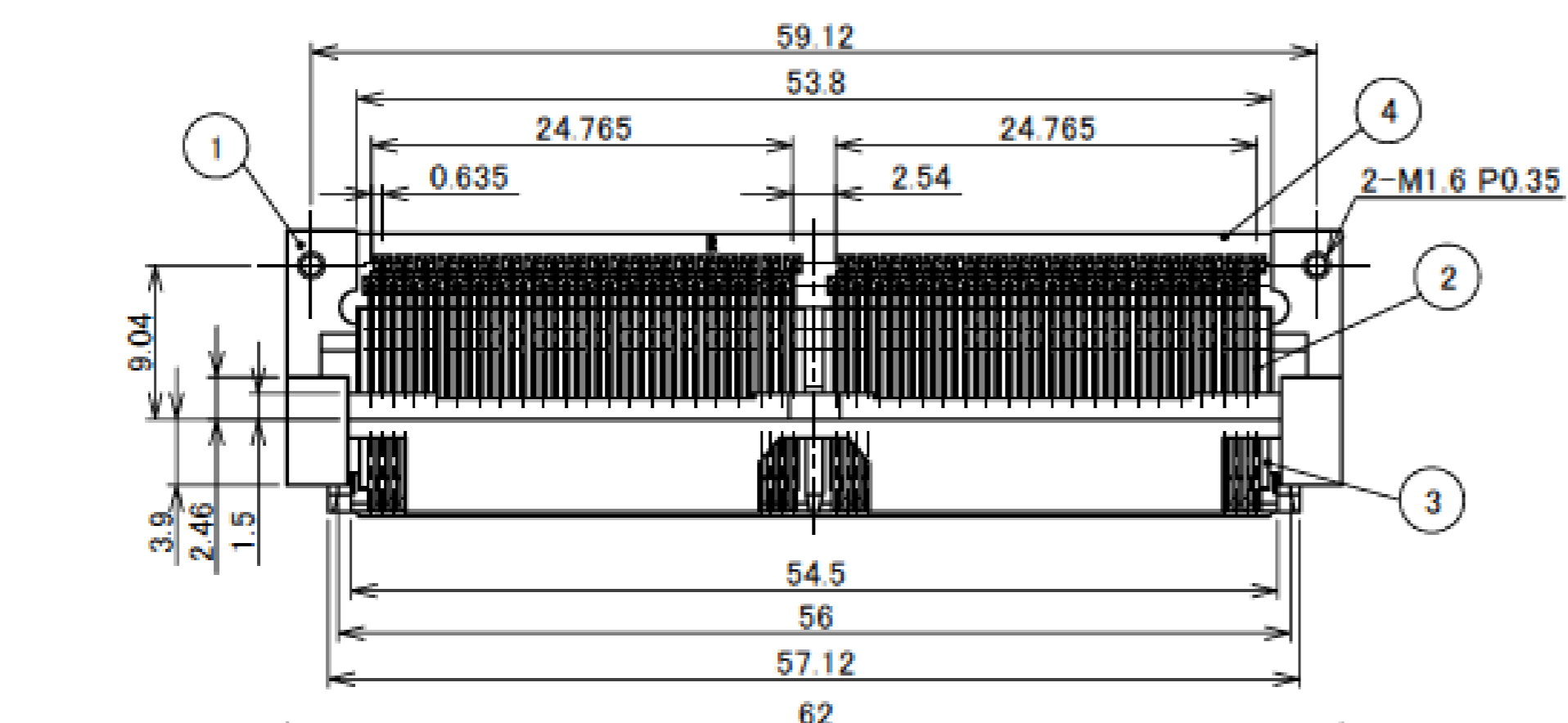
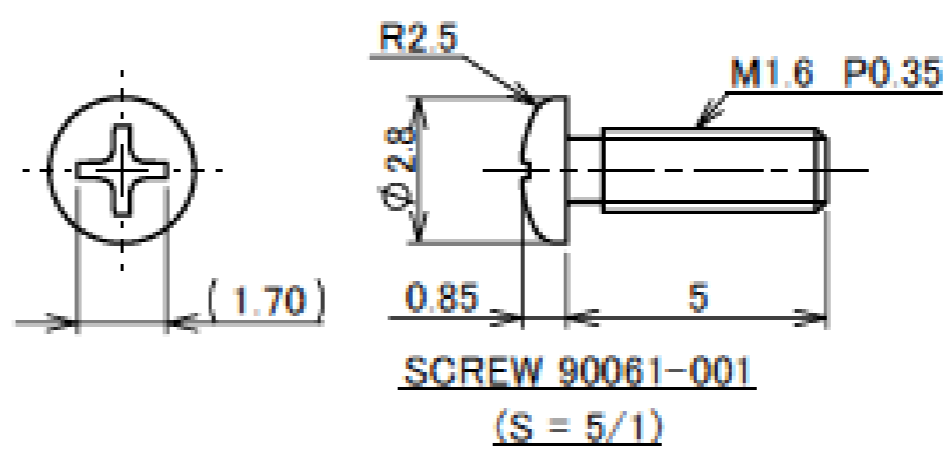
Rev.18

Plug Assembly

Recommended P/N 30046-160T-F

PART NO.	No. OF POS.	Y (MATING TRAVEL OF C/T)	CIRCUIT No. / L=CONTACT LENGTH		NOTES
			L=5.36	L=4.66	
30046-160T-F	160P	1.4, 2.1	No.1, 2, 79, 80, 81, 82, 159, 160	OTHERS	WITH SCREW
30046-160T-01F					NO SCREW
30046-160T-02F					WITH SCREW
30046-160T-03F					WITH SCREW

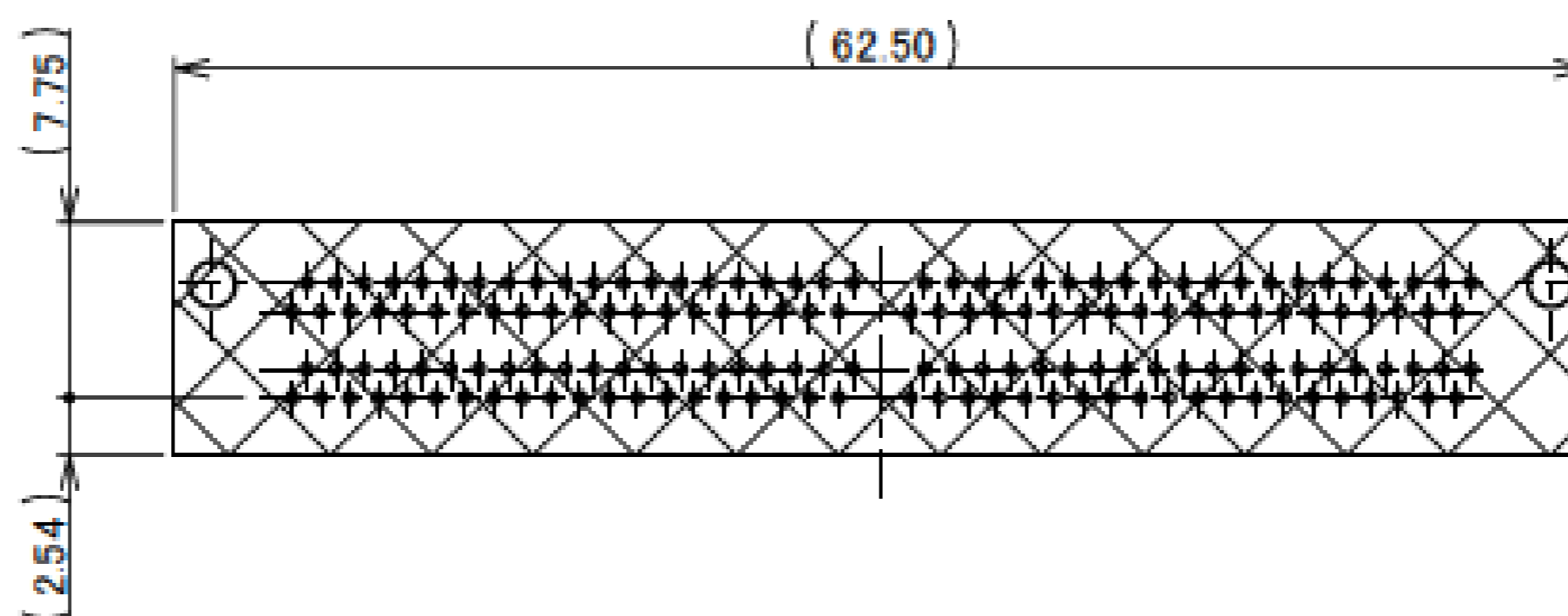
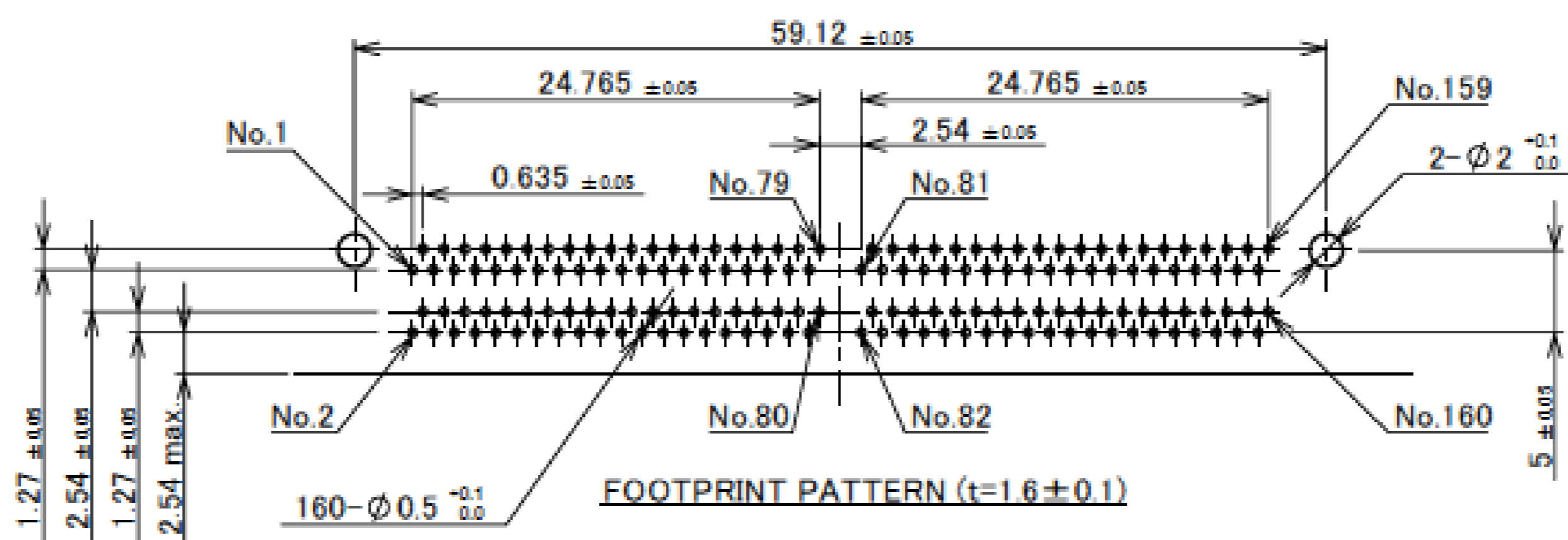
◆.MARK MEANS NOT AVAILABLE.



NO.	DESCRIPTION	MATERIAL	FINISH, REMARKS
4	LOCATOR PLATE	PA	BLACK UL94V-0
3	PLUG INSULATOR	PPS	BLACK UL94V-0
2	PLUG CONTACT	COPPER ALLOY	Au PLATING
1	PLUG SHELL	Zn ALLOY	Ni PLATING

- NOTES
- CONNECTOR TO BE MATED : 30047, 30056
 - ALLOWANCE DIMENSION OF GUIDE PIN : 0.8 mm

Rev.19



DO NOT MOUNT ANY OTHER COMPONENTS IN THIS AREA

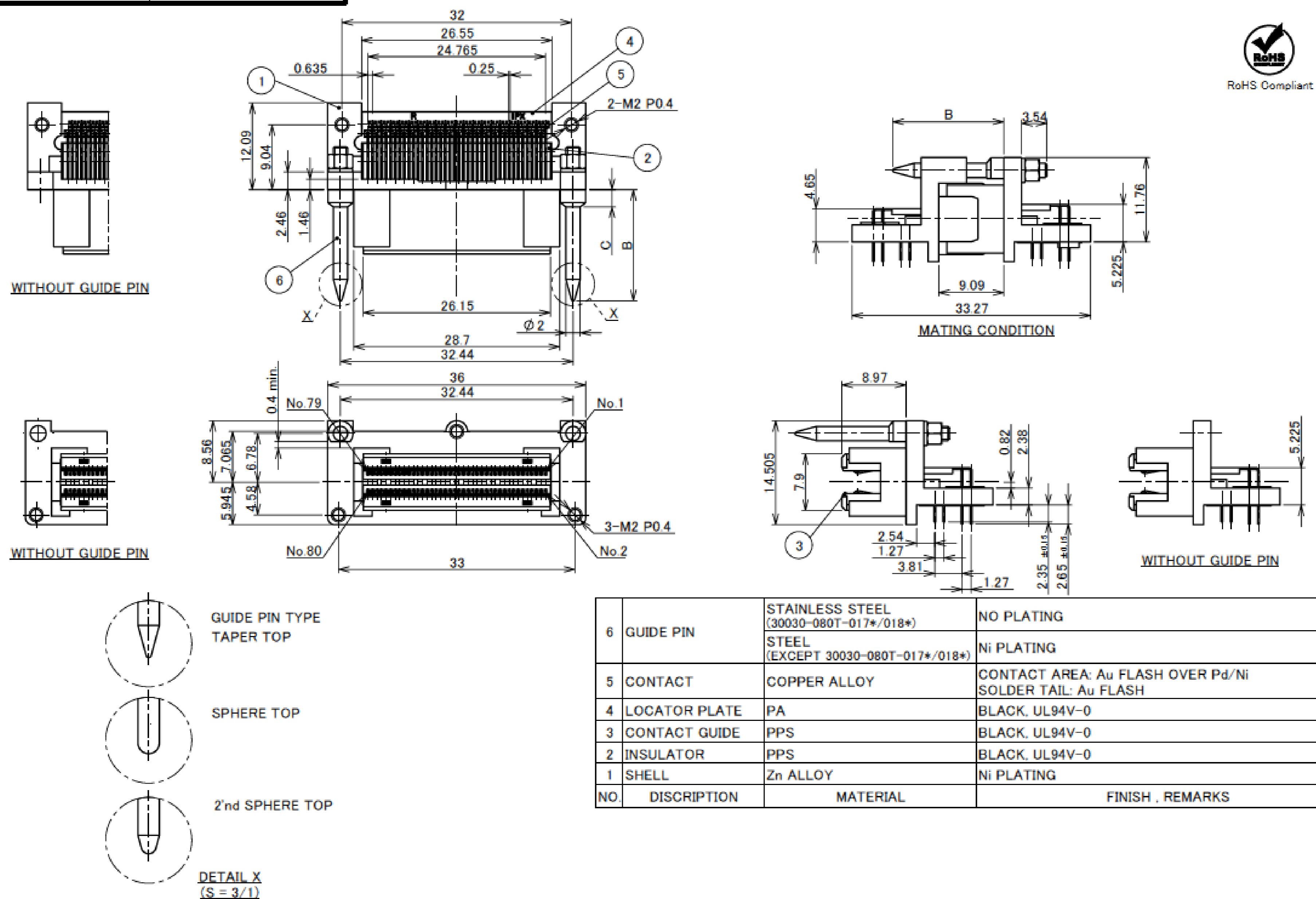
Plug Assembly

ITEMS	SPECIFICATION
RATING VOLTAGE	250V AC (PER CONTACT PIN)
RATING AMPERAGE (FOR CONTACT)	0.5A AC/DC (PER CONTACT PIN)
OPERATING TEMPERATURE	208~358K(-65°C~+85°C)
OPERATING HUMIDITY	85% MAX.
CONTACT RESISTANCE (FOR CONTACT)	INITIAL : 70mohm MAX. / AFTER TEST : Δ 25mohm MAX.
INSULATION RESISTANCE	INITIAL : 10,000Mohm MIN. / AFTER TEST : 1,000MIN.
DIELECTRIC WITHSTANDING VOLTAGE	AC500V 1min
DURABILITY	5,000 CYCLES
MATING FORCE (INITIAL / AFTER TEST)	0.9N/pos. MAX.
UNMATING FORCE (INITIAL / AFTER TEST)	0.059N/pos. MIN.
COPLANARITY	-
PRODUCT SPECIFICATION	PRS-1011
TEST REPORT	TR-9020
PACKING STANDARD	300-106
INSTRUCTION MANUAL	-
APPEARANCE CRITERIA No.	QLS-A***

Rev.19

Receptacle Assembly

Recommended P/N 30030-080T-03F

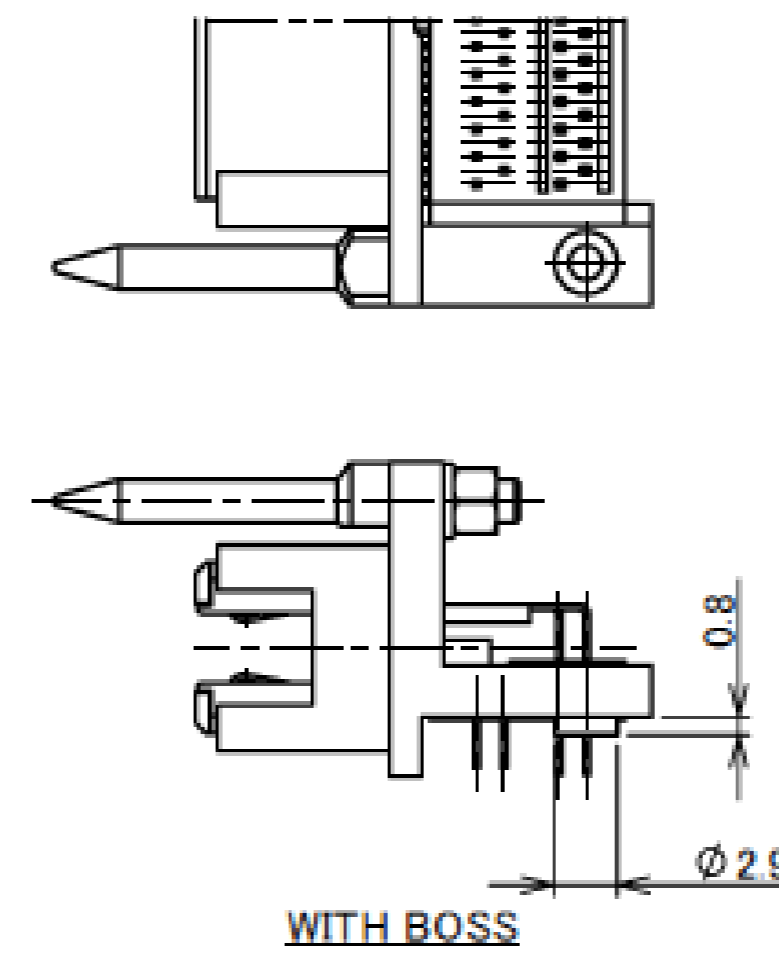
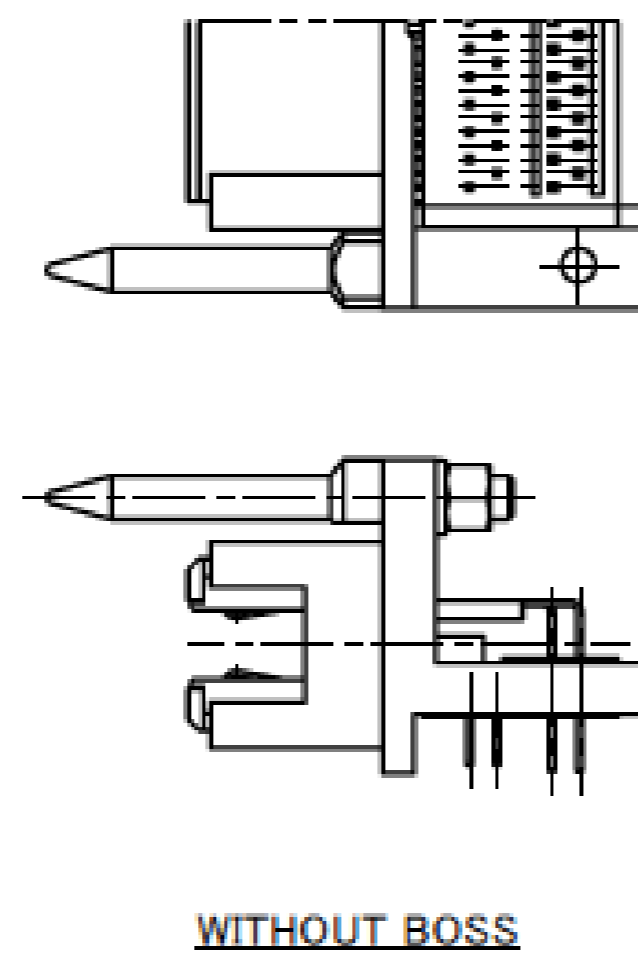
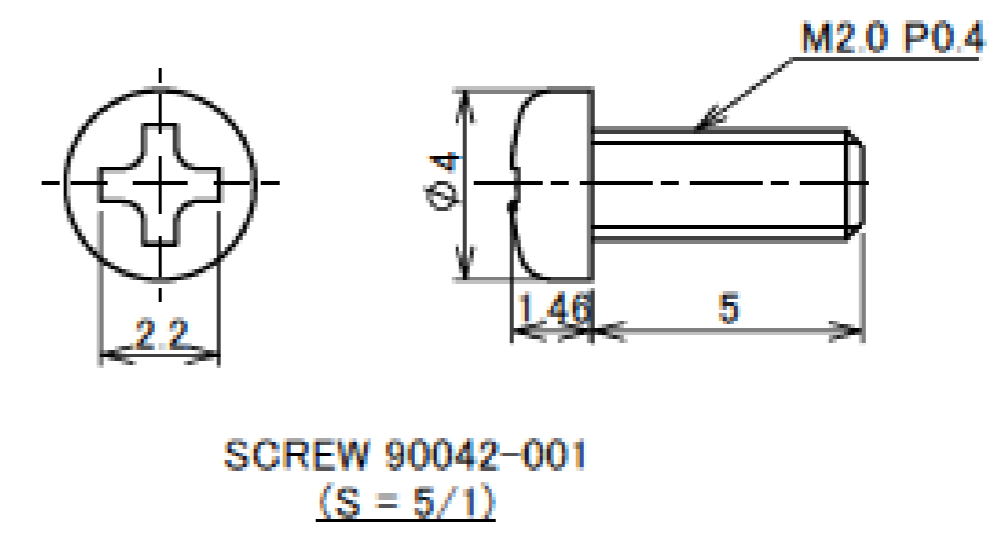


NOTES
1. CONNECTOR TO BE MATED: 30029

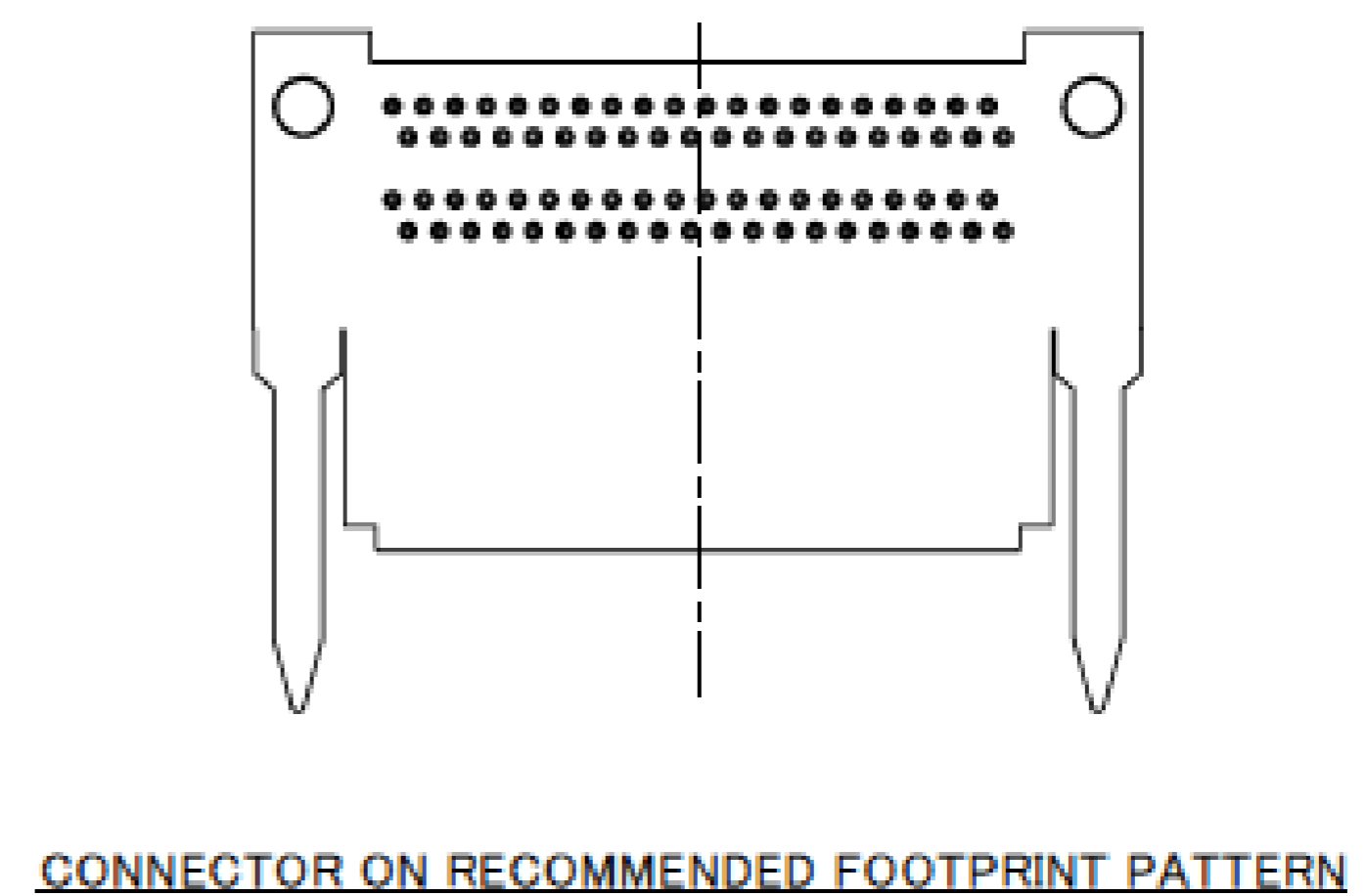
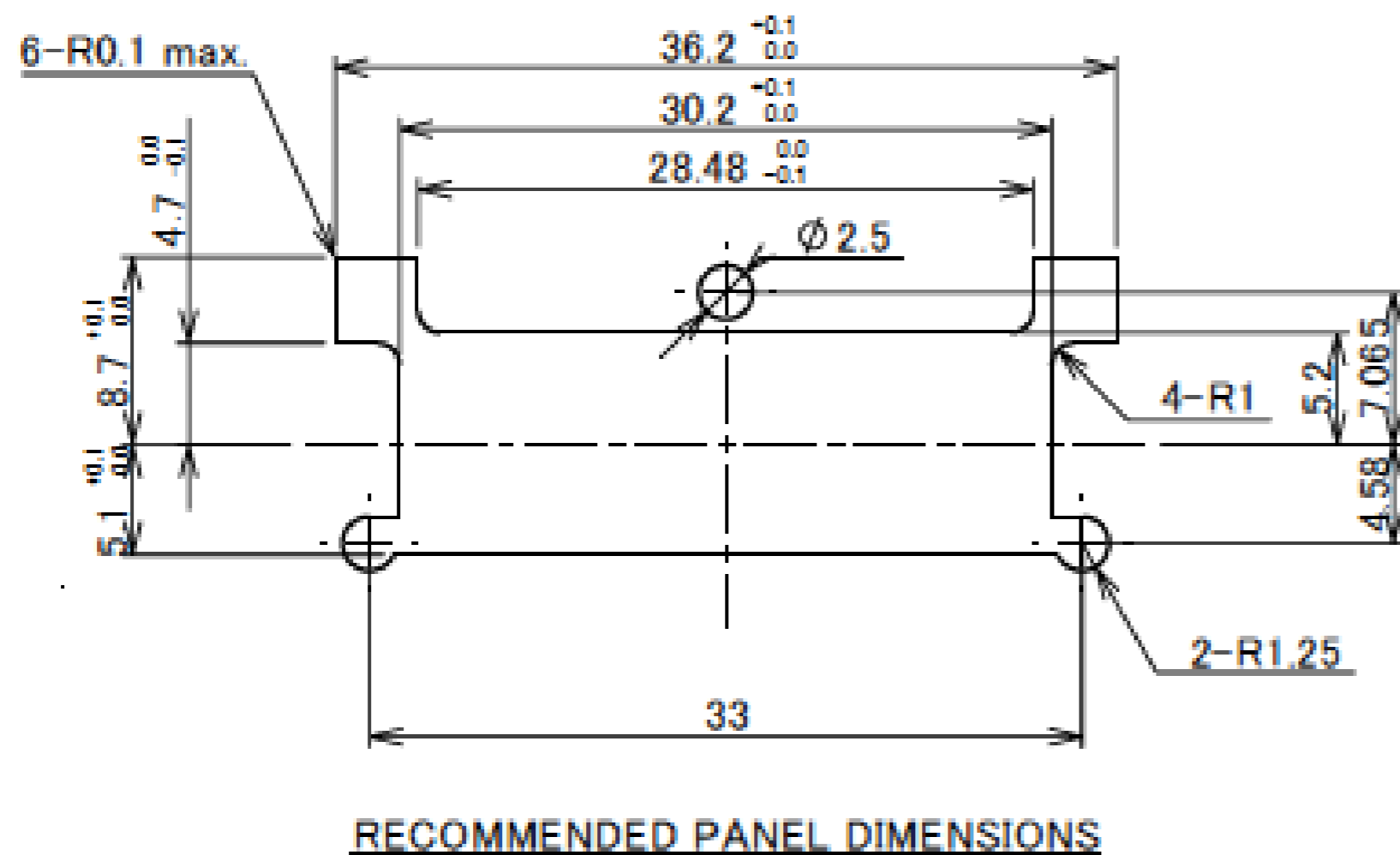
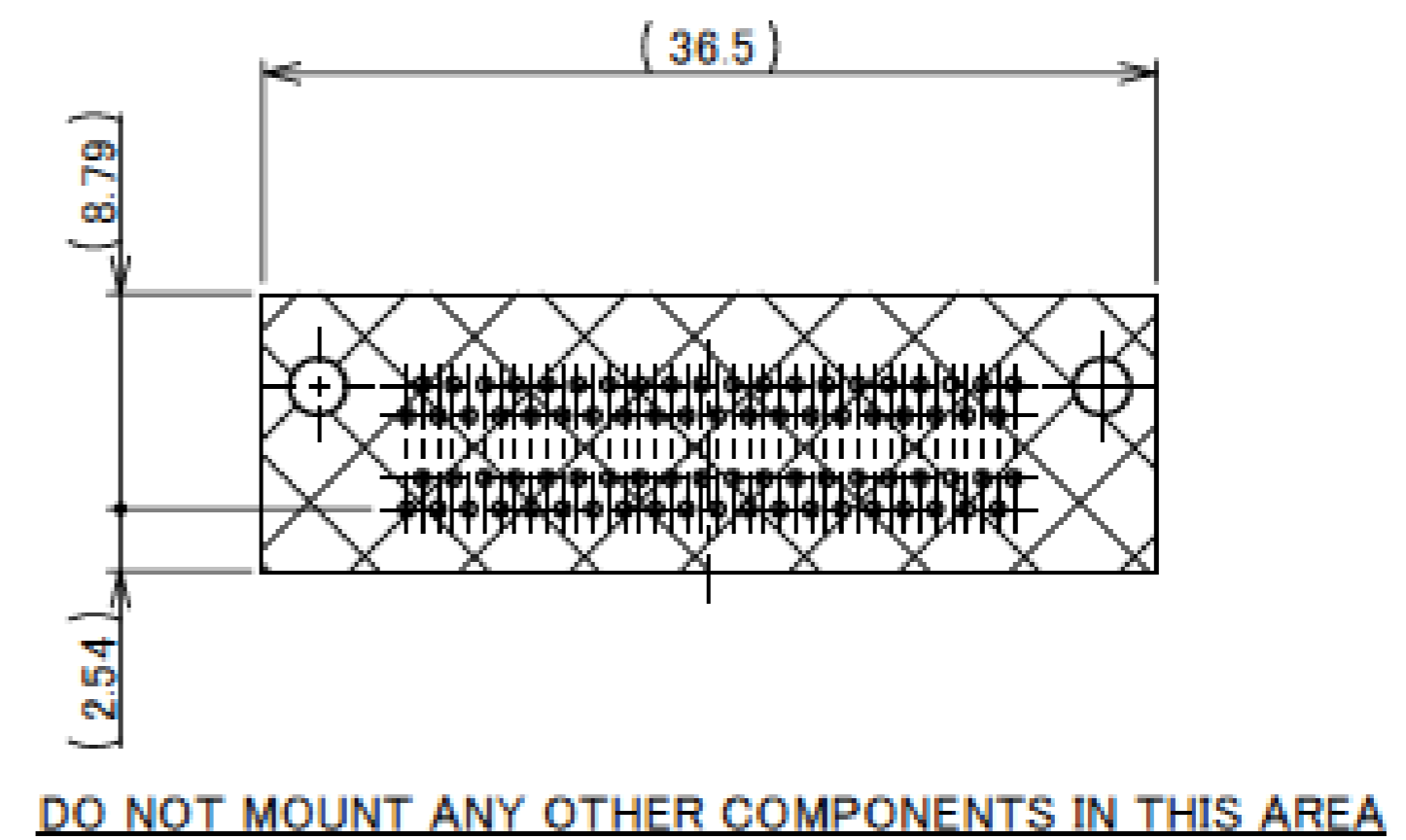
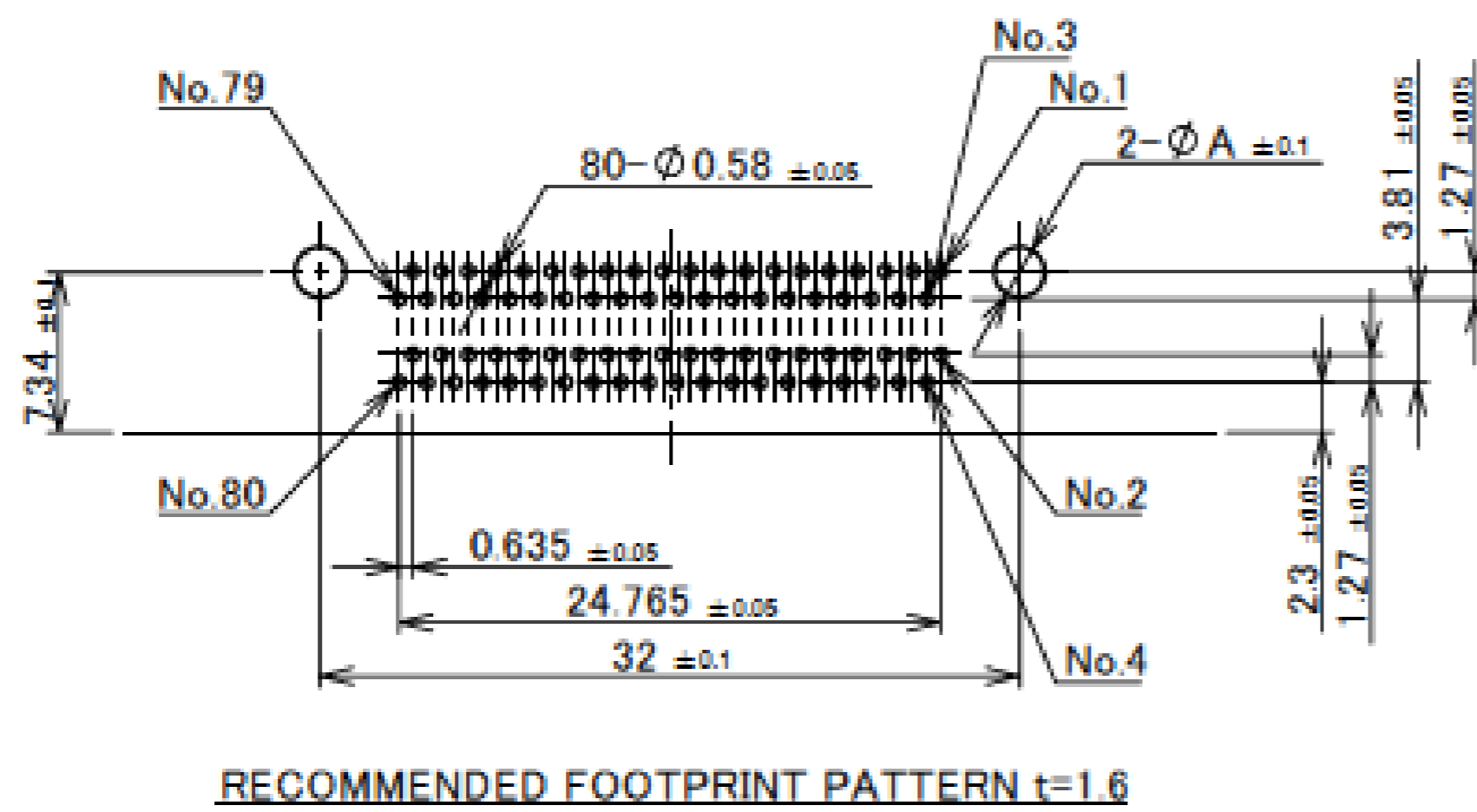
Rev.20

Receptacle Assembly

PART No.	GUIDE PIN TYPE	BOSS	A	B	C	NOTES
30030-080T-F	TAPER TOP	WITHOUT BOSS	2.3	15.5	2.4	WITH SCREW
30030-080T-01F	SPHERE TOP					WITHOUT SCREW
30030-080T-02F	TAPER TOP					WITH SCREW
30030-080T-03F	SPHERE TOP					WITHOUT SCREW
30030-080T-04F	WITHOUT GUIDE PIN (1413-00*)					WITH SCREW
30030-080T-05F	(WITHOUT NUT, WASHER)	WITHOUT SCREW				
30030-080T-06F	TAPER TOP	WITH BOSS	3.1	15.5	2.4	WITH SCREW
30030-080T-07F	SPHERE TOP					WITHOUT SCREW
30030-080T-08F	TAPER TOP					WITH SCREW
30030-080T-09F	SPHERE TOP					WITHOUT SCREW
30030-080T-10F	WITHOUT GUIDE PIN (1413-00*)					WITH SCREW
30030-080T-11F	(WITHOUT NUT, WASHER)	WITHOUT SCREW				
30030-080T-12F	2 nd SPHERE TOP	WITHOUT BOSS	2.3	15.5	2.4	WITH SCREW
30030-080T-13F		WITH BOSS	3.1			WITHOUT SCREW
30030-080T-14F						WITH SCREW
30030-080T-15F	SPHERE TOP	WITHOUT BOSS	2.3	13.0	2.4	WITHOUT SCREW
30030-080T-17F	TAPER TOP (MTL : STAINLESS STEEL)			15.5		WITHOUT SCREW
30030-080T-18F	SPHERE TOP (MTL : STAINLESS STEEL)					
30030-080T-19F	SPHERE TOP	WITH BOSS	3.1	14.0	4.0	WITH SCREW



Rev.20



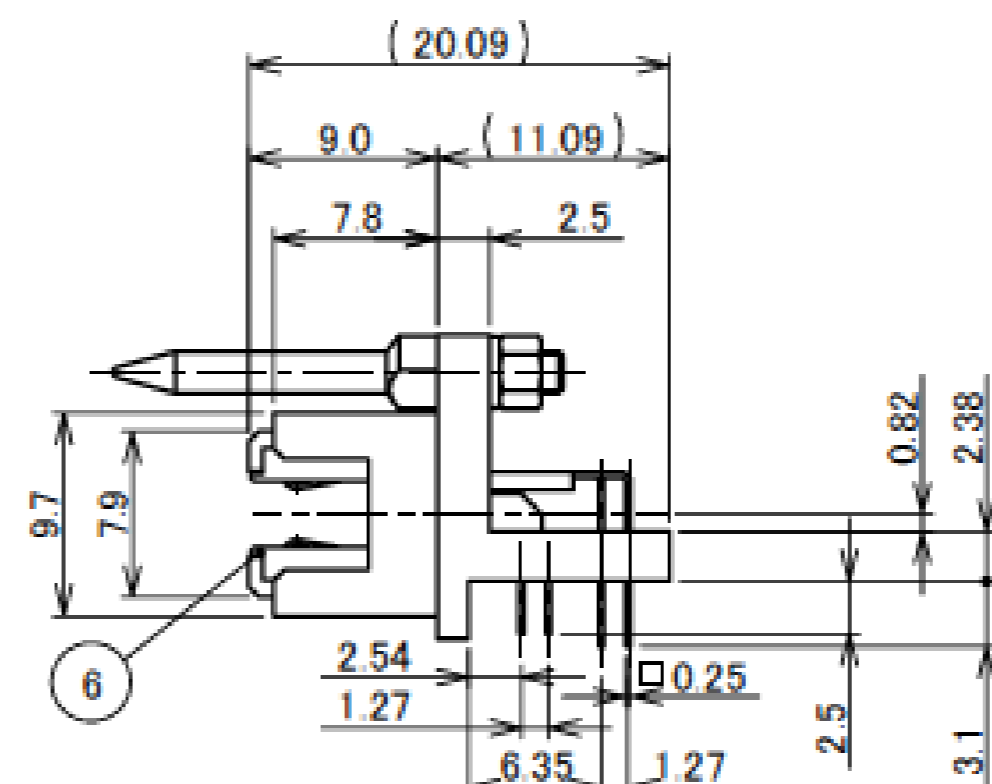
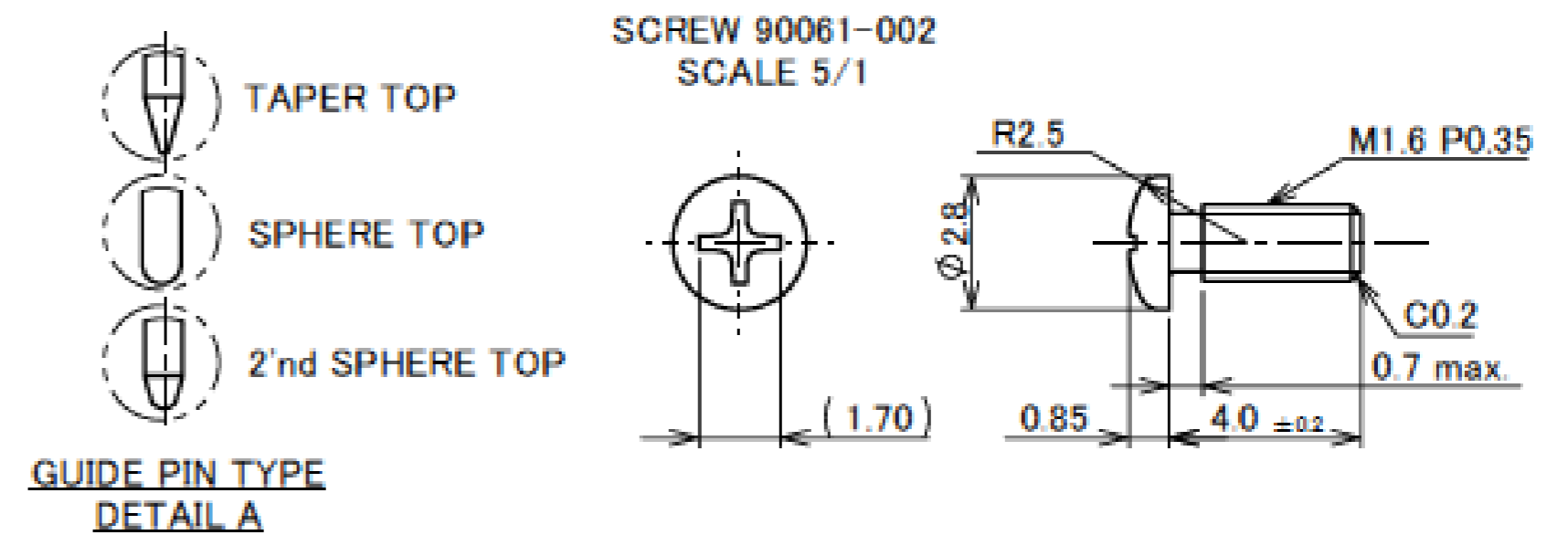
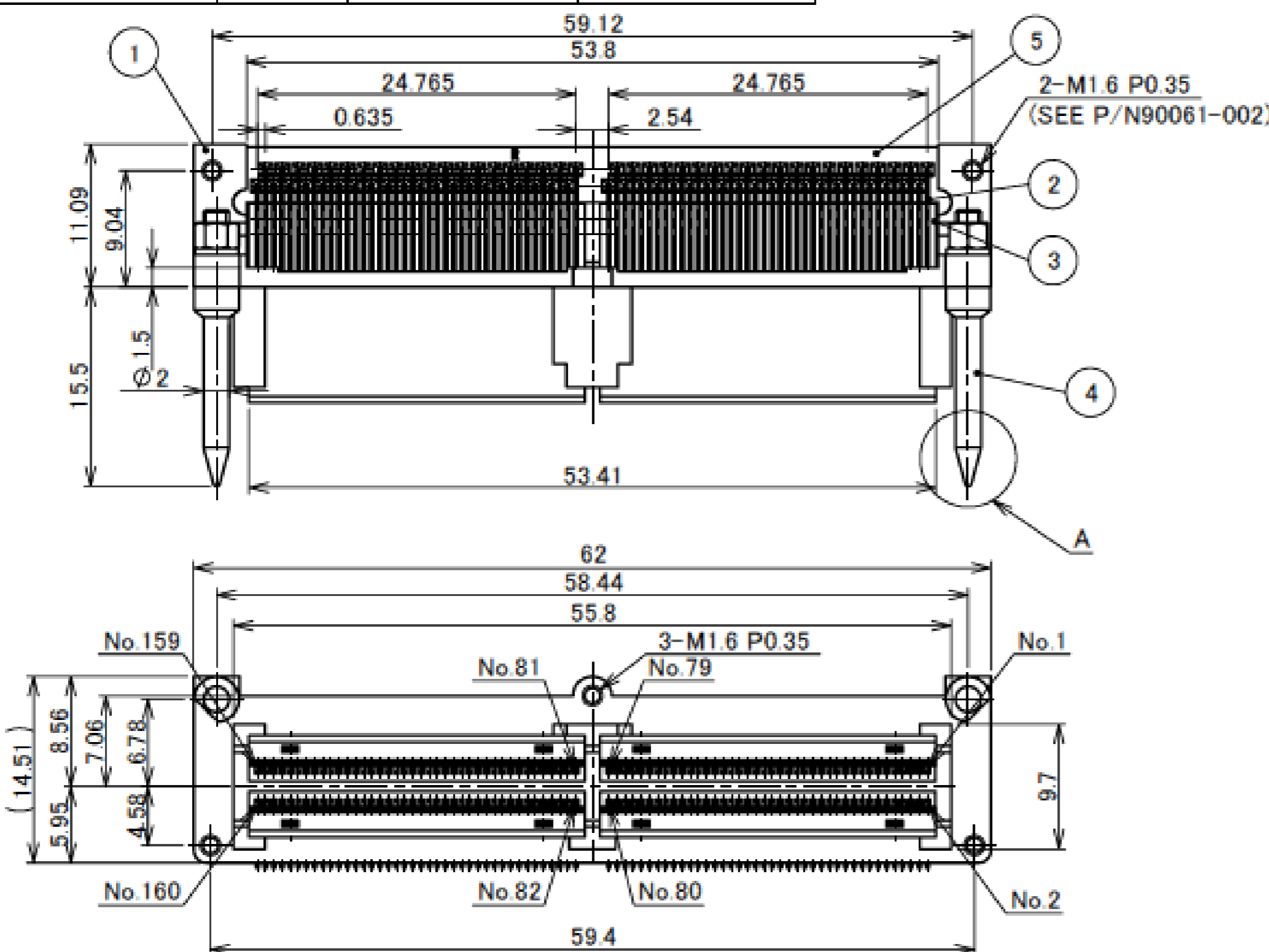
Rev.20

Receptacle Assembly

ITEMS	SPECIFICATION
RATING VOLTAGE	250V AC (PER CONTACT PIN)
RATING AMPERAGE (FOR CONTACT)	0.5A AC/DC (PER CONTACT PIN)
OPERATING TEMPERATURE	208~358K(-65°C~+85°C)
OPERATING HUMIDITY	85% MAX.
CONTACT RESISTANCE (FOR CONTACT)	INITIAL : 70mohm MAX. / AFTER TEST : Δ 25mohm MAX.
INSULATION RESISTANCE	INITIAL : 10,000Mohm MIN. / AFTER TEST : 1,000Mohm MIN.
DIELECTRIC WITHSTANDING VOLTAGE	AC500V 1min
DURABILITY	5,000 CYCLES
MATING FORCE (INITIAL)	0.9N/pos. MAX.
UNMATING FORCE (AFTER TEST)	0.059N/pos. MIN.
COPLANARITY	-
PRODUCT SPECIFICATION	PRS-1011
TEST REPORT	TR-9020
PACKING STANDARD	300-071
INSTRUCTION MANUAL	-
APPEARANCE CRITERIA No.	QLS-A***

Rev.20

Recommended P/N	30047-160T-01F		
PART NO.	Pos.	NOTES	GUIDE PIN P/N
30047-160T-F	160P	WITH SCREW	TAPER TOP
30047-160T-01F		WITHOUT SCREW	
30047-160T-02F		WITH SCREW	SPHERE TOP
30047-160T-03F		WITHOUT SCREW	
30047-160T-04F		WITH SCREW	2'nd SPHERE TOP
30047-160T-05F		WITHOUT SCREW	

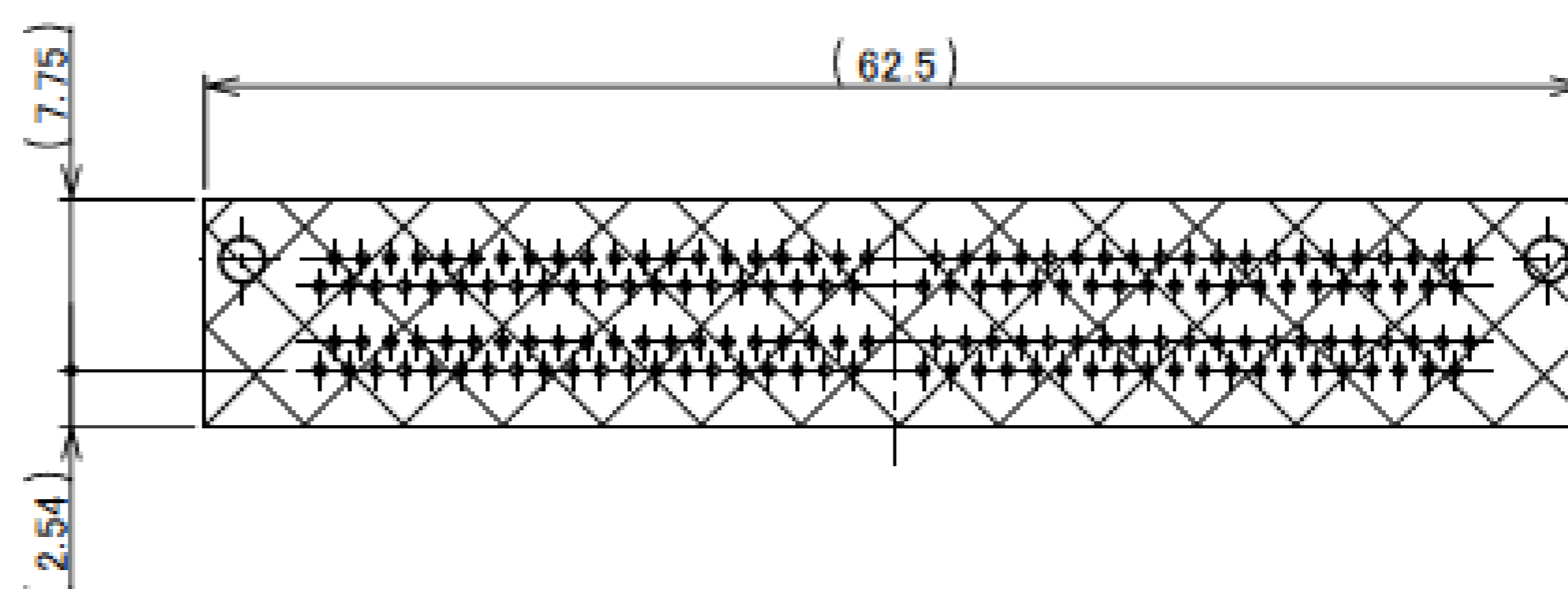
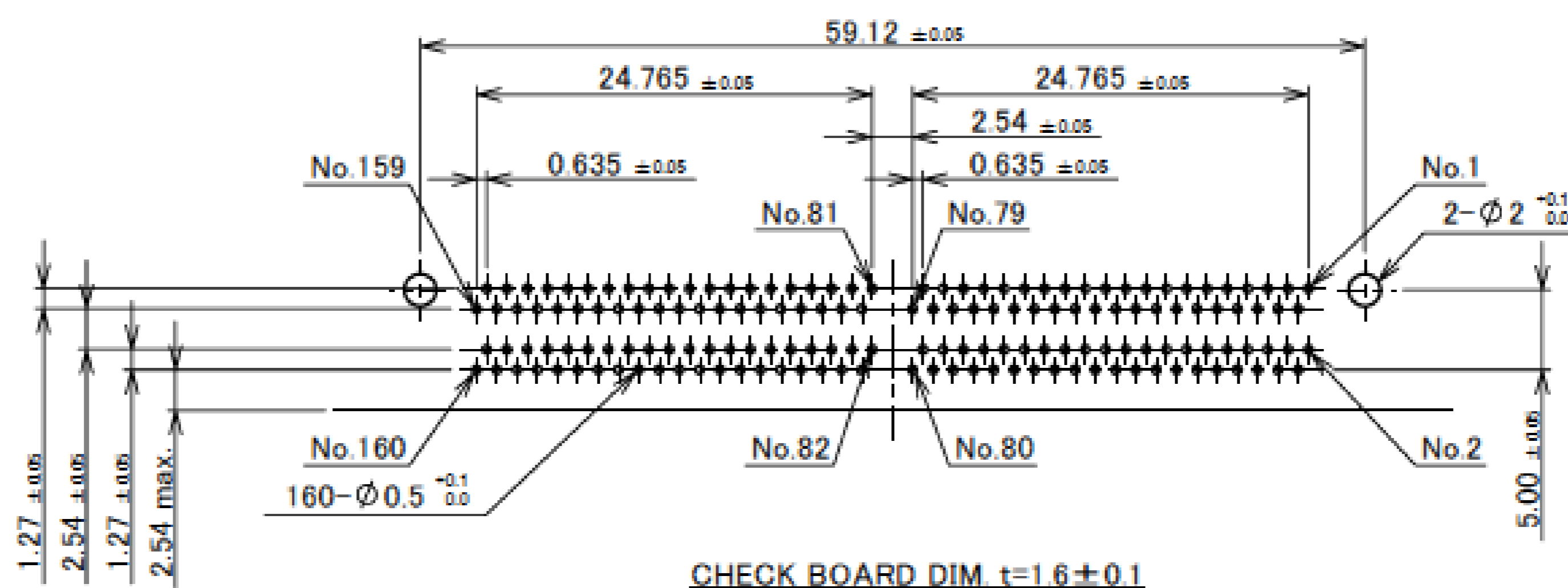


NO.	DESCRIPTION	MATERIAL	FINISH . REMARKS
6	CONTACT GUIDE	PPS	BLACK UL94V-0
5	LOCATOR PLATE	PA	BLACK UL94V-0
4	GUIDE PIN	STEEL	Ni PLATING
3	RECE INSULATOR	PPS	BLACK UL94V-0
2	RECE CONTACT	COPPER ALLOY	Au PLATING
1	RECE SHELL	Zn ALLOY	Ni PLATING

NOTES
1. CONNECTOR TO BE MATED : 30046

Rev.14

Receptacle Assembly



DO NOT MOUNT ANY OTHER COMPONENTS IN THIS AREA

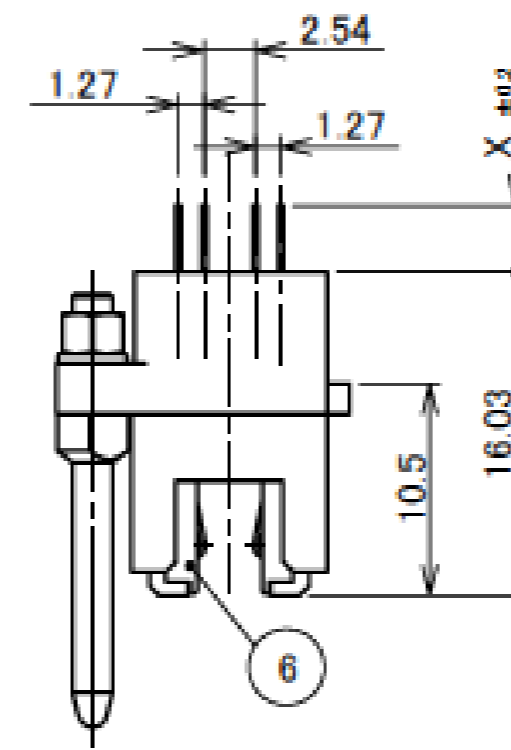
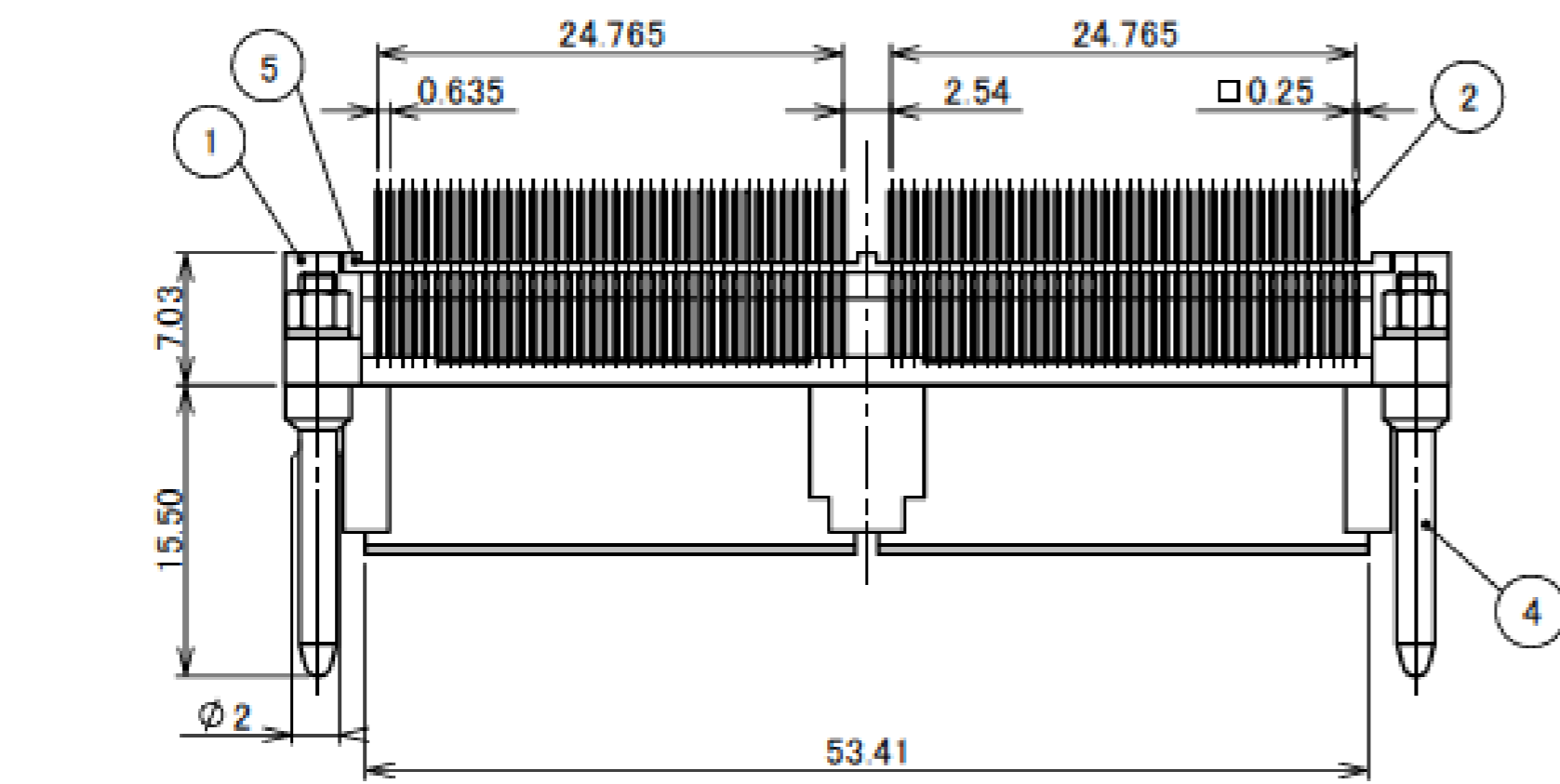
Rev.14

ITEMS	SPECIFICATION
RATING VOLTAGE	250V AC (PER CONTACT PIN)
RATING AMPERAGE (FOR CONTACT)	0.5A AC/DC (PER CONTACT PIN)
OPERATING TEMPERATURE	208~358K(-65°C~+85°C)
OPERATING HUMIDITY	85% MAX.
CONTACT RESISTANCE (FOR CONTACT)	INITIAL : 70mohm MAX. / AFTER TEST : $\triangle 25\text{mohm}$ MAX.
INSULATION RESISTANCE	INITIAL : 10,000Mohm MIN. / AFTER TEST : 1,000Mohm MIN.
DIELECTRIC WITHSTANDING VOLTAGE	AC500V 1min
DURABILITY	5,000 CYCLES
MATING FORCE (INITIAL)	0.9N/pos. MAX.
UNMATING FORCE (AFTER TEST)	0.059N/pos. MIN.
COPLANARITY	-
PRODUCT SPECIFICATION	PRS-1011
TEST REPORT	TR-9020
PACKING STANDARD	300-107
INSTRUCTION MANUAL	-
APPEARANCE CRITERIA No.	QLS-A***

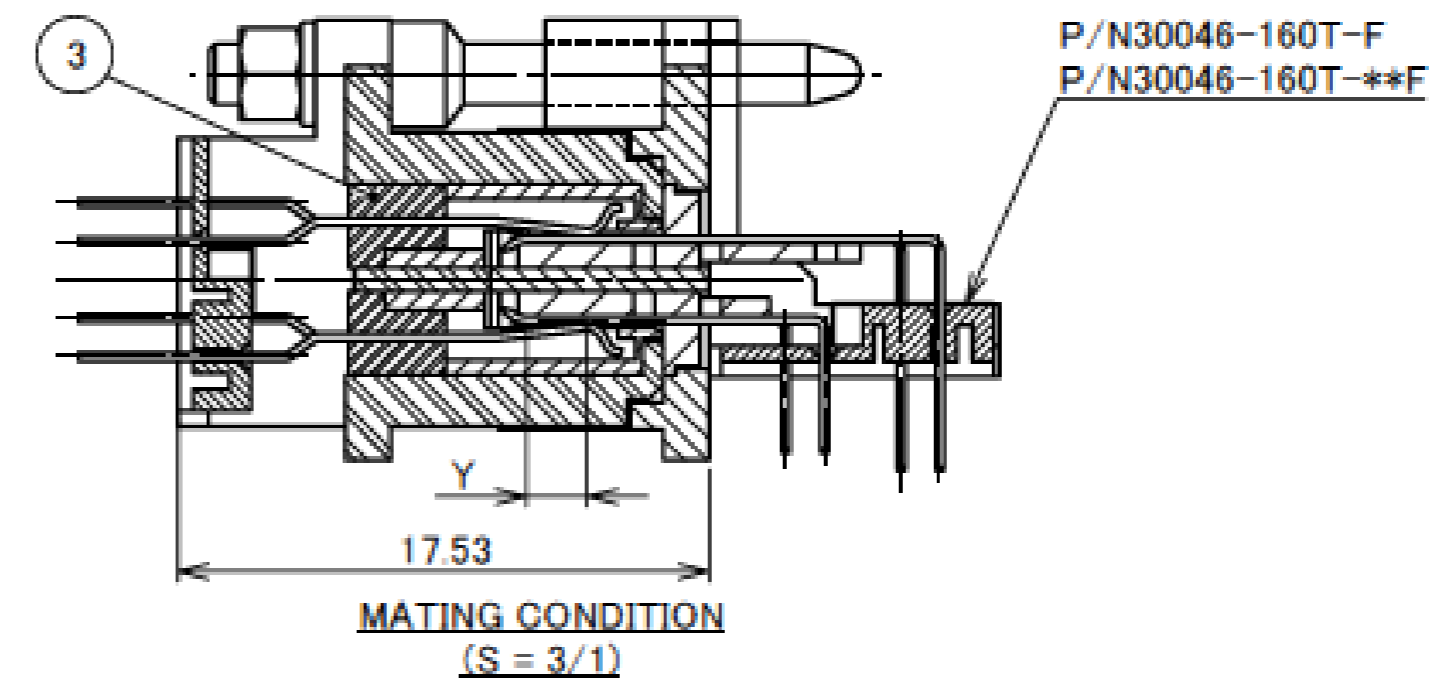
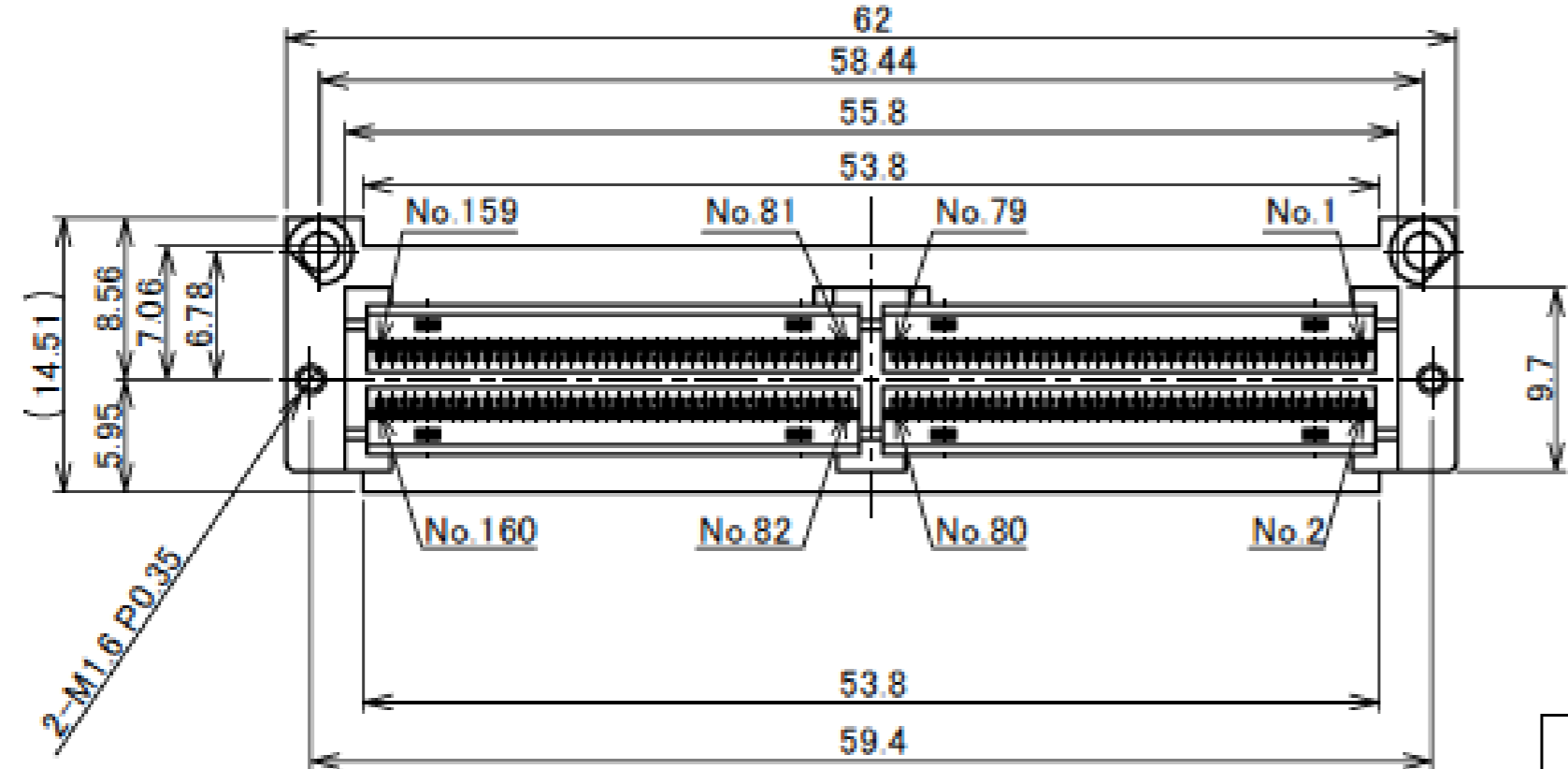
Rev.14

Receptacle Assembly

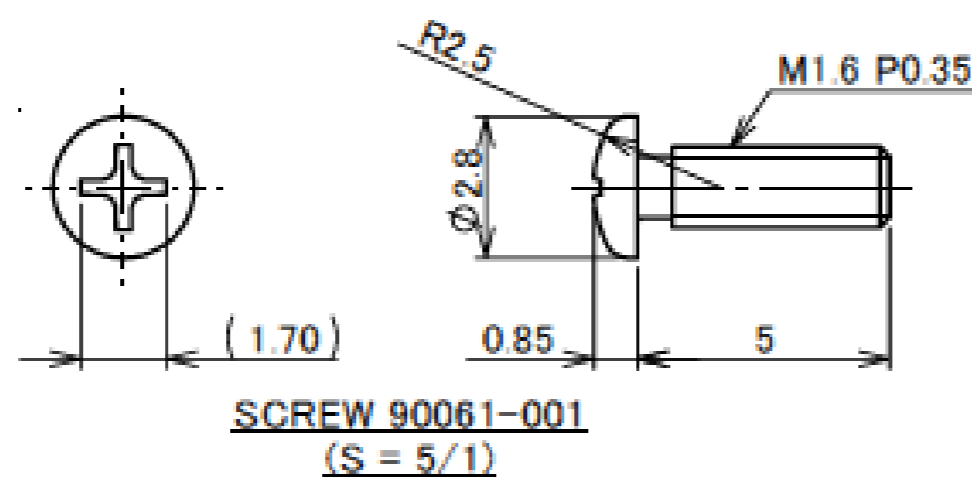
Recommended P/N		30056-160T-F
PART NO.	LEAD DIMENSION X	NOTES
30056-160T-F	3.3	WITH SCREW
30056-160T-01F		WITHOUT SCREW



BE MATED	Y (MATING TRAVEL OF C/T)
P/N 30046-160T	1.4 . 2.1

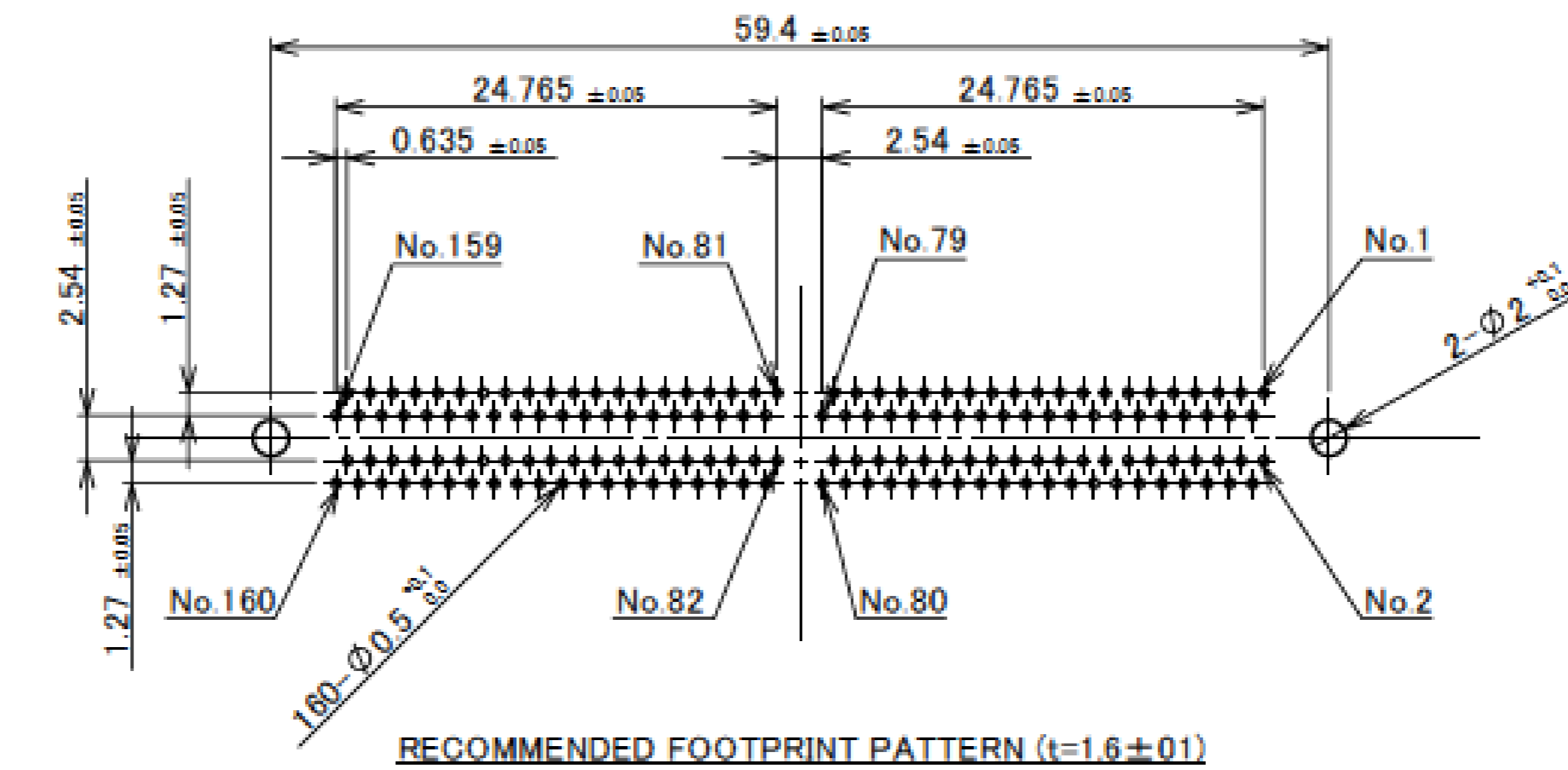


NO.	DISCRIPTION	MATERIAL	FINISH , REMARKS
6	CONTACT GUIDE	PPS	BLACK UL94V-0
5	LOCATOR PLATE	PA	BLACK UL94V-0
4	GUIDE PIN	STEEL	Ni PLATING
3	RECE INSULATOR	PPS	BLACK UL94V-0
2	RECE CONTACT	COPPER ALLOY	CONTACT PART Au FLASH SOLDER TAIL Au FLASH
1	RECE SHELL	Zn ALLOY	Ni PLATING

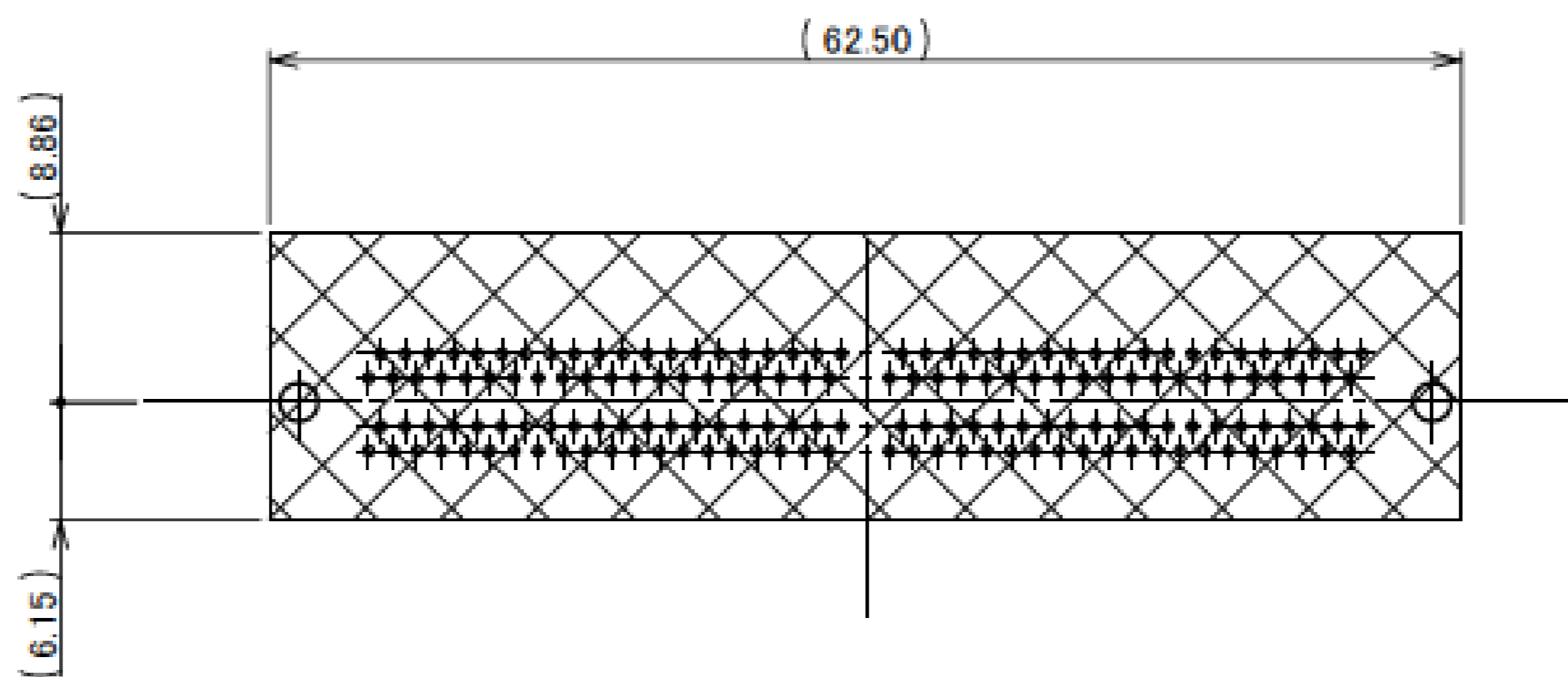


NOTES
 1. CONNECTOR TO BE MATED: 30046
 2. ALLOWANCE DIMENSION OF GUIDE PIN : 0.8 mm

Rev.15



RECOMMENDED FOOTPRINT PATTERN (t=1.6±0.1)



DO NOT MOUNT ANY OTHER COMPONENTS IN THIS AREA

Rev.15

Receptacle Assembly

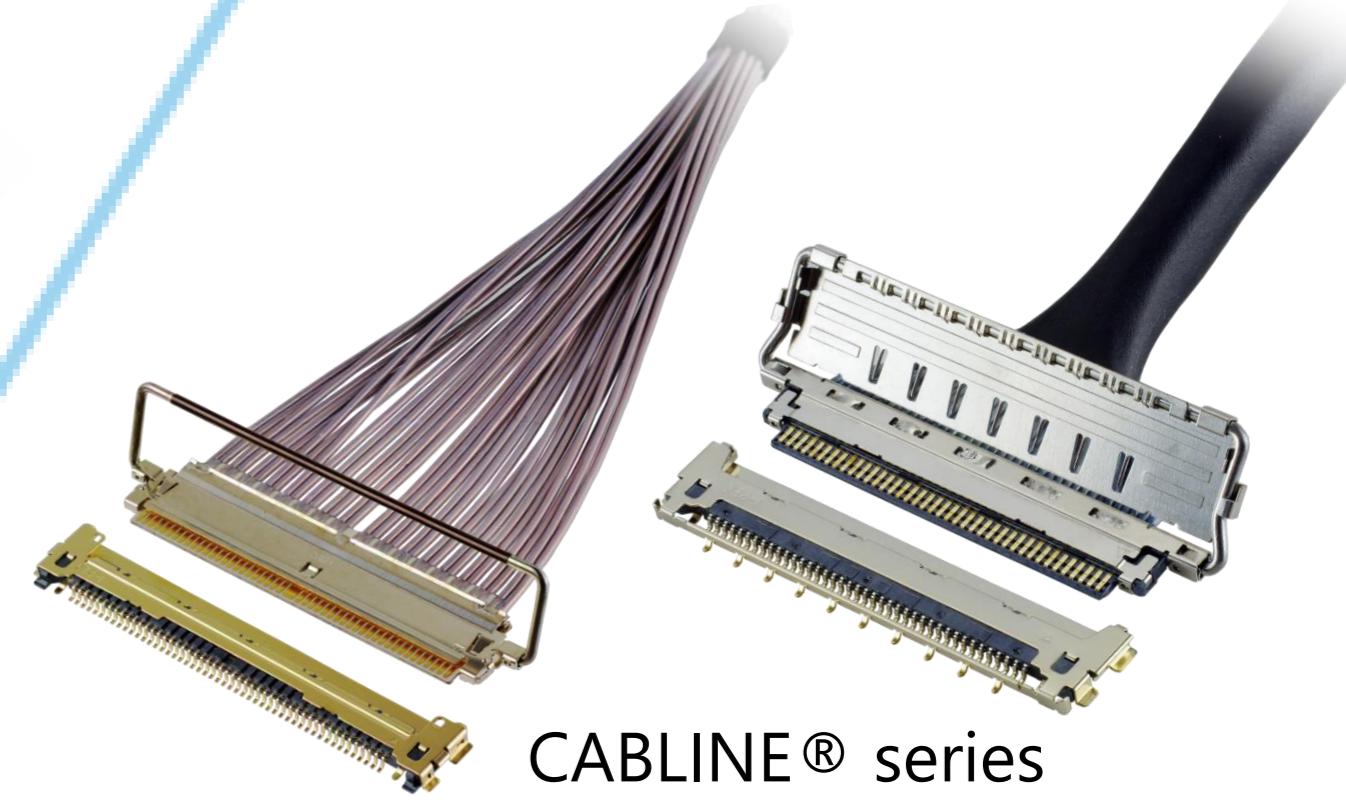
ITEMS	SPECIFICATION
RATING VOLTAGE	250V AC (PER CONTACT PIN)
RATING AMPERAGE (FOR CONTACT)	0.5A AC/DC (PER CONTACT PIN)
OPERATING TEMPERATURE	208~358K(-65°C~+85°C)
OPERATING HUMIDITY	85% MAX.
CONTACT RESISTANCE (FOR CONTACT)	INITIAL : 70mohm MAX. / AFTER TEST : Δ 25mohm MAX.
INSULATION RESISTANCE	INITIAL : 10,000Mohm MIN. / AFTER TEST : 1,000Mohm MIN.
DIELECTRIC WITHSTANDING VOLTAGE	AC500V 1min
DURABILITY	5,000 CYCLES
MATING FORCE (INITIAL)	0.9N/pos. MAX.
UNMATING FORCE (AFTER TEST)	0.059N/pos. MIN.
COPLANARITY	-
PRODUCT SPECIFICATION	PRS-1011
TEST REPORT	TR-9020
PACKING STANDARD	300-151
INSTRUCTION MANUAL	-
APPEARANCE CRITERIA No.	QLS-A***

Rev.15

Custom Connectors Available

RF Connectors

MHF® series



CABLINE® series

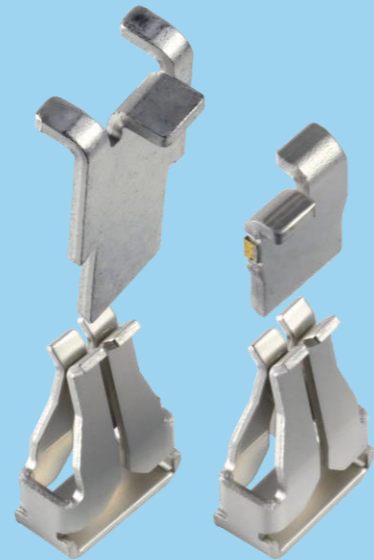
Micro-Coaxial/Twinaxial Connectors



Wire-to-Board Connectors/Terminals

AP series

ISH® series



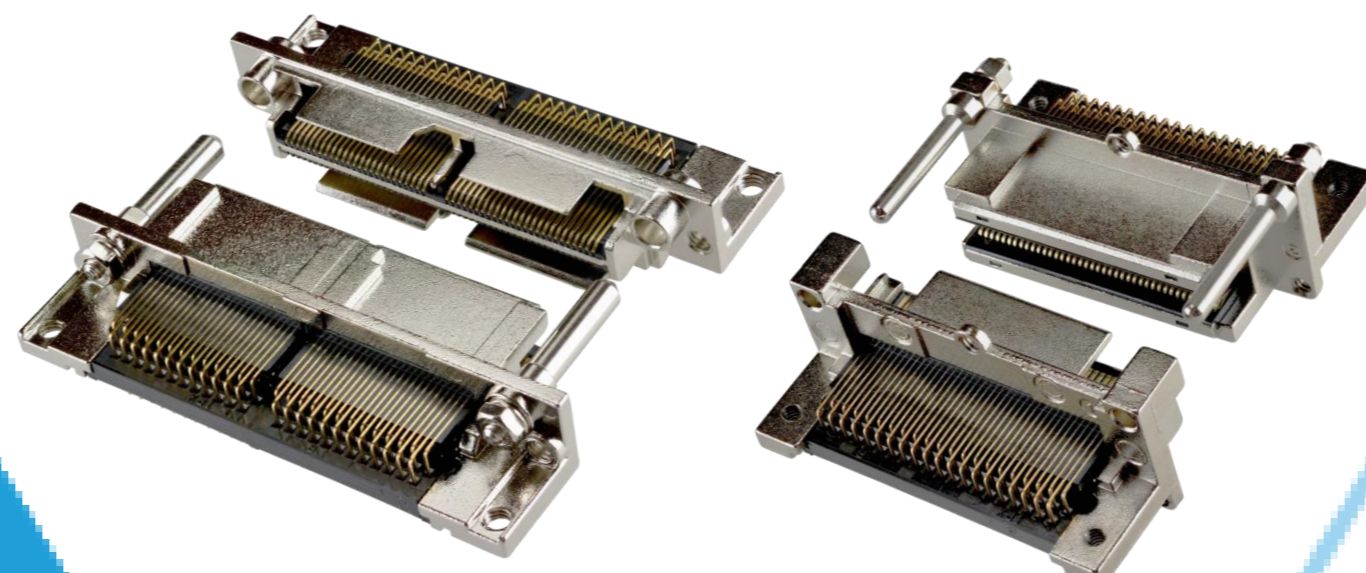
NOVASTACK® series



Board-to-Board Connectors



I/O Connectors



MINIDOCK™ series

MINIFLEX® series EVAFLEX® series



FPC/FFC Connectors



Inquiry



I-PEX, MHF, CABLINE, NOVASTACK, ISH, IARPB, MINIFLEX, EVAFLEX, MINIDOCK, i-Fit and ZenShield are registered trademarks of I-PEX Inc. Please note that the contents in the catalog might be changed without prior notification. I-PEX Inc. assumes no responsibility for any inaccuracies or obligation to update information on these documents. Please be sure to read and understand the latest "Precautions for Use" and "Instruction Manual" before you use our products. We shall not be responsible for any defects, damages or troubles in case you use our products without following the precautions for use. Please feel free to contact our sales representatives when you use our products for any applications that require very high reliability and safety, or that relate to human life (ex. nuclear power control, aerospace, transportation, medical equipment, safety equipment etc.).

Contact your sales representative or more detailed information.

www.i-pex.com



I-PEX

© I-PEX Inc. 2025
All rights reserved