

CABLINE® -UX II

适合通孔解决方案的超细设计，窄间距（0.25 mm），90°出线垂直插拔款的极细同轴线连接器

Product Specifications:

Mating type	Right angle vertical	
Board Pitch	0.5 mm	
Wiping Length	0.2 mm	
Mated Size	Height	1.10 mm max.
	Width	4.1 + (0.25 x pin count) mm
	Depth	2.4 mm
Pin Counts	Range	Up to 50
	Available	30, 34, 40, 50

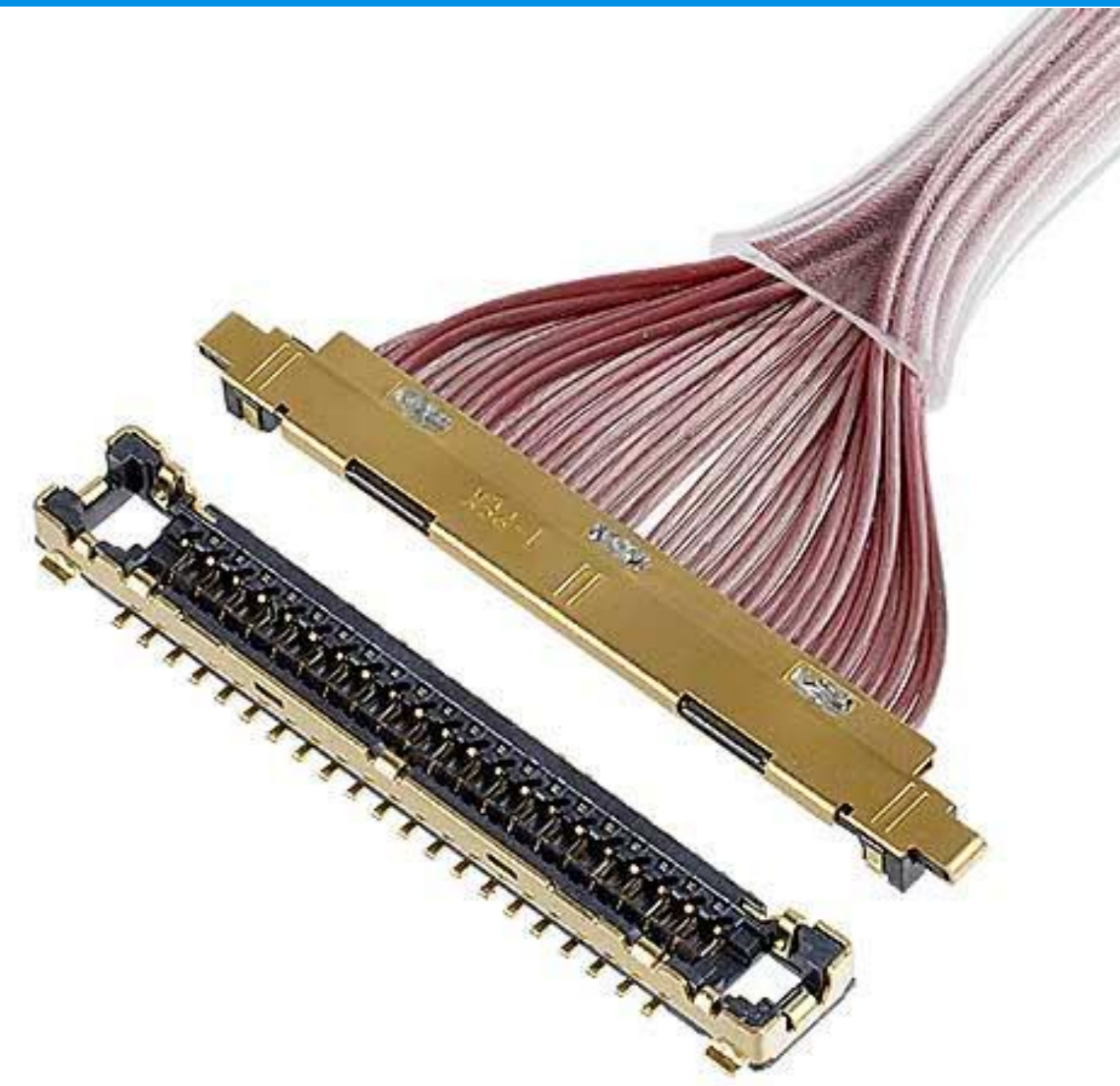
Applicable Cable Size:

Maximum O.D.	0.25 mm
Micro-Coaxial for Signal	45 ohm: AWG 44 or smaller
	50 ohm: AWG 46 or smaller
Twinaxial	-
Discrete	AWG 39 or smaller

Applicable Standards (Reference Only):

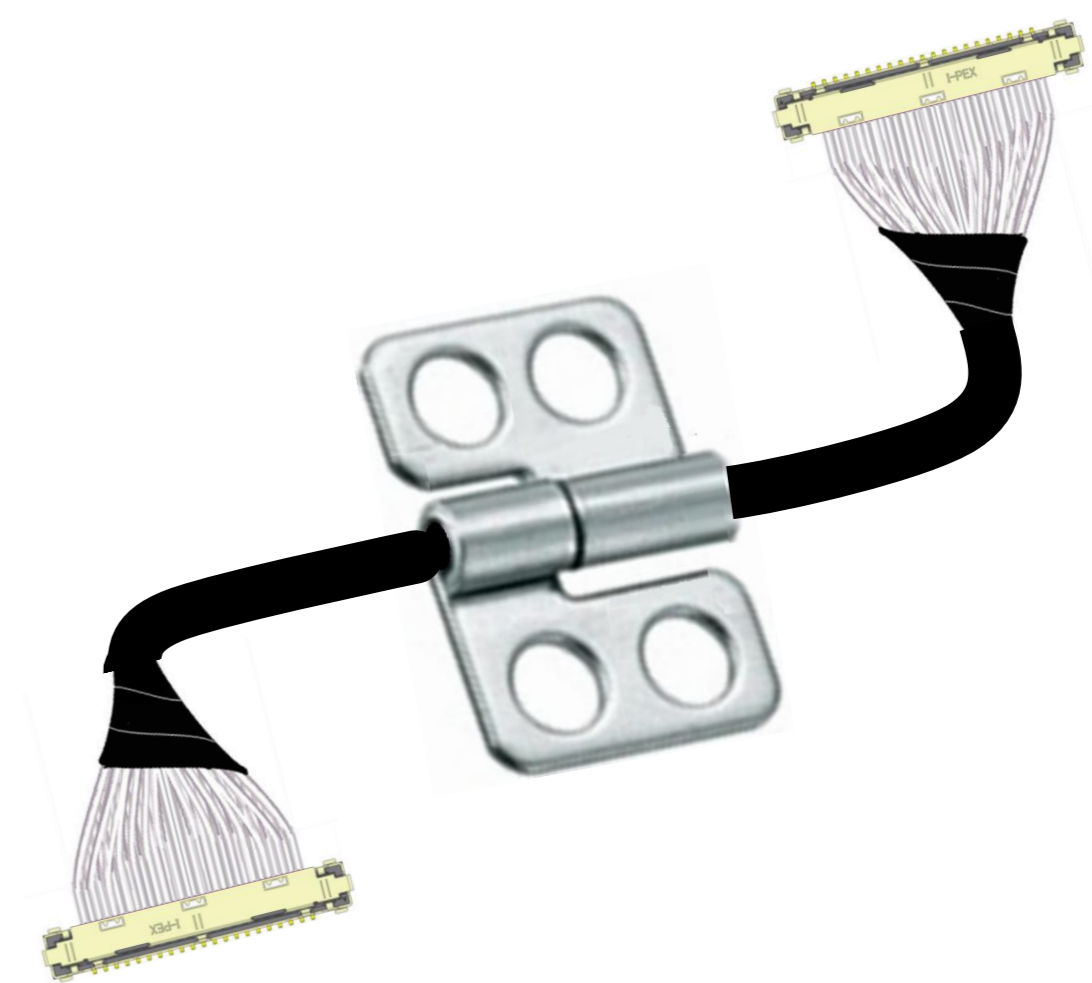
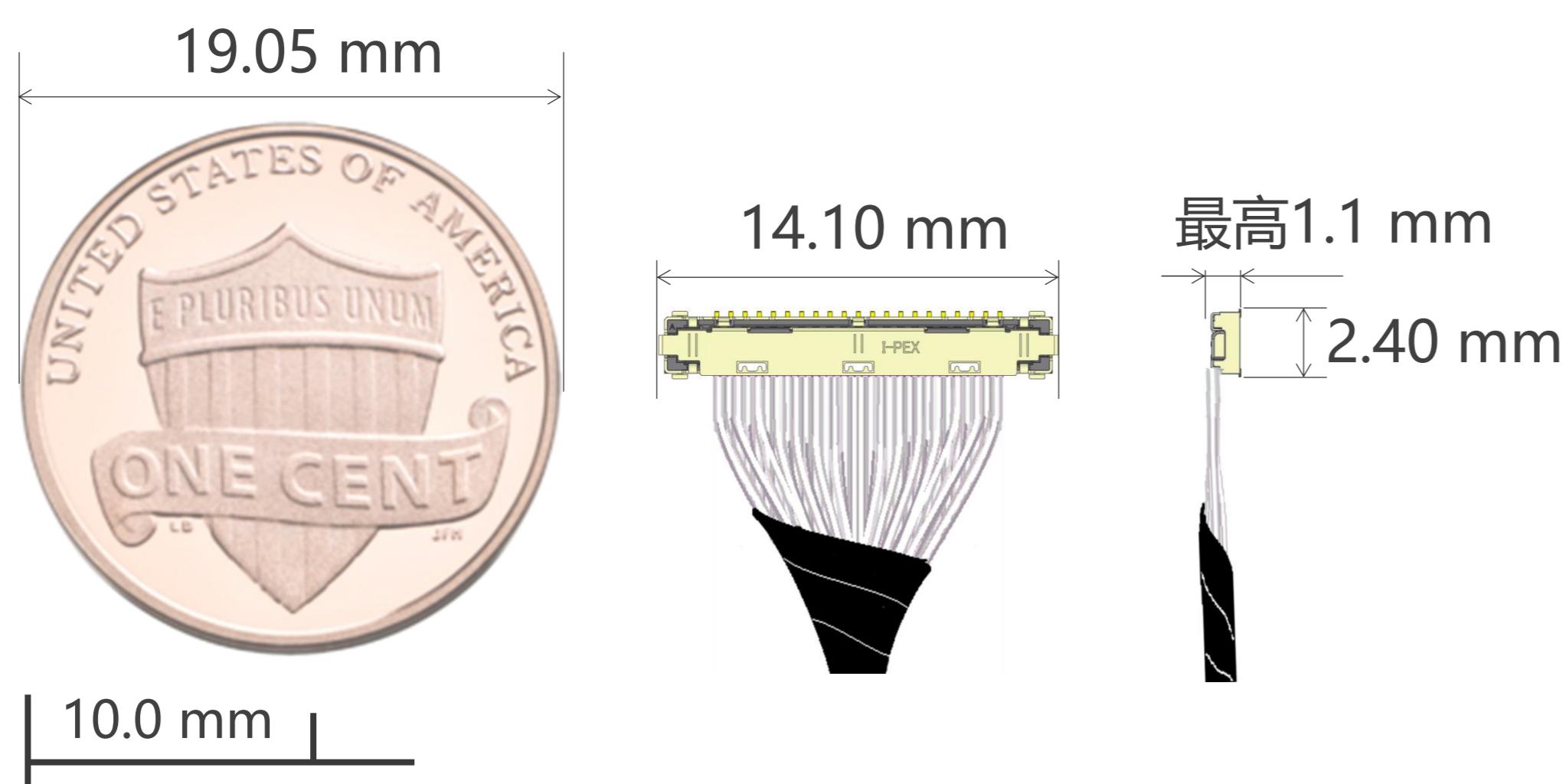
USB 3.1 Gen 1 (5 Gbps), V-By-One HS 1.4 (4 Gbps), HDMI 1.3 (3.4 Gbps)

*如您需要了解未列出或不在范围内的Pin数，请咨询我们。



空间有限的小型电子产品的理想选择

CABLINE-UX II 40 pin 的连接器大小比一分钱硬币还小。



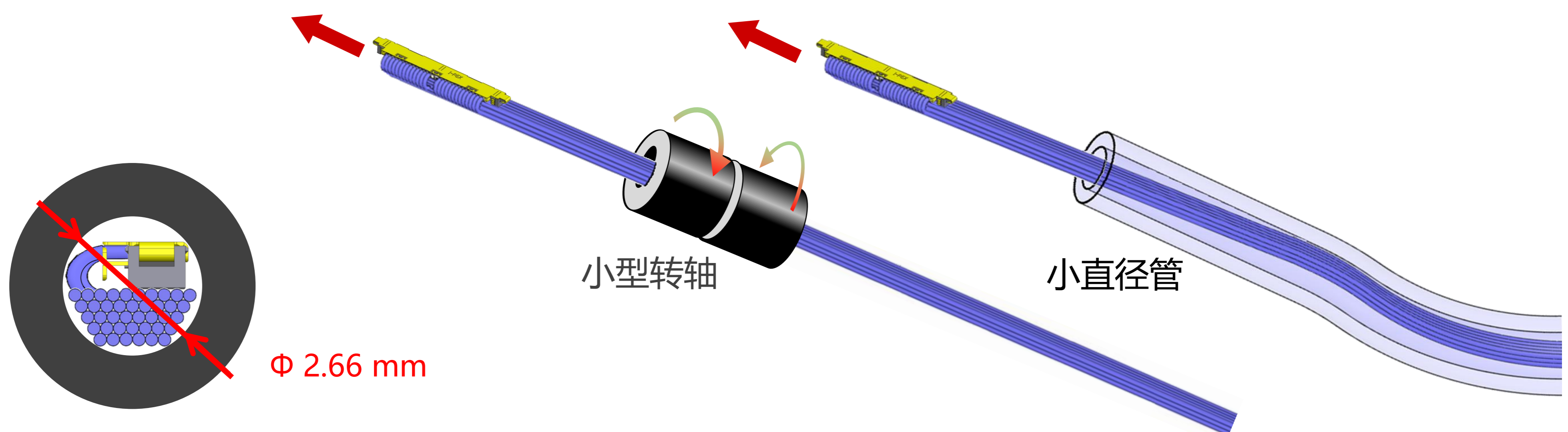
柔软的极细同轴线束
适合用于具有转轴类产品的应用

Plug尺寸也非常小巧，能够方便穿过转轴

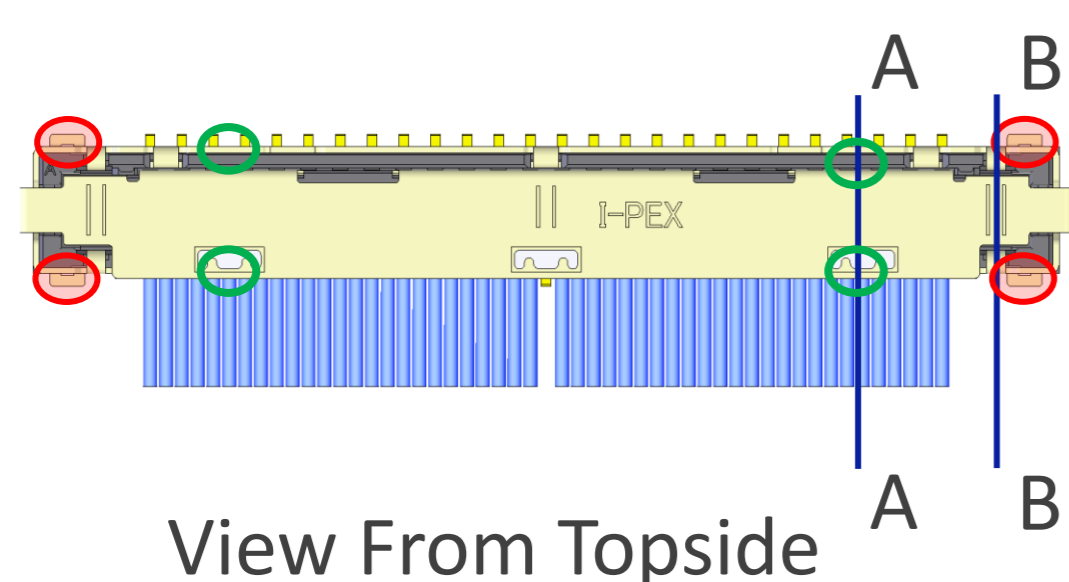
模拟参考示例:

当使用外径为0.24 mm的同轴线加工成的 UX II 40pin 线束可以穿过内孔径为 $\Phi 2.66$ mm的转轴或者软管。

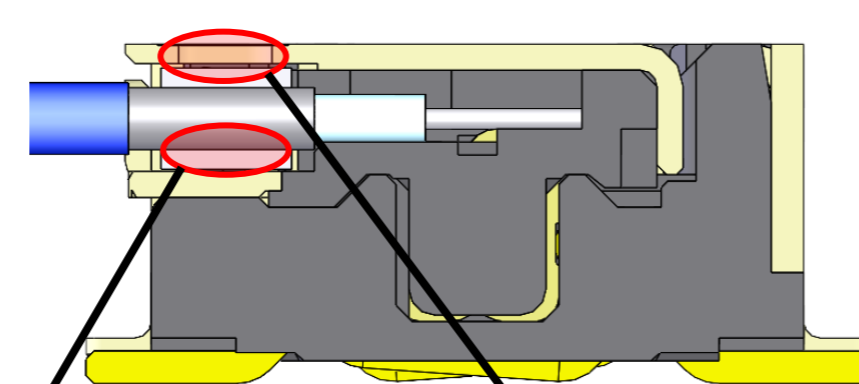
[穿越转轴组件- CABLINE®连接器](#)



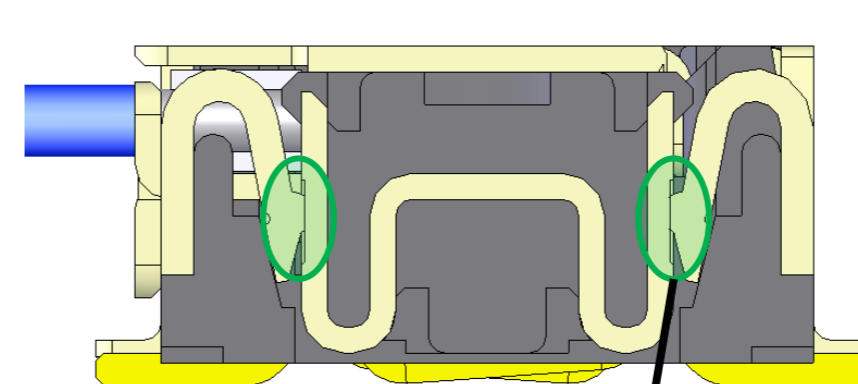
多点接地设计提供良好的EMC解决方案



View From Topside

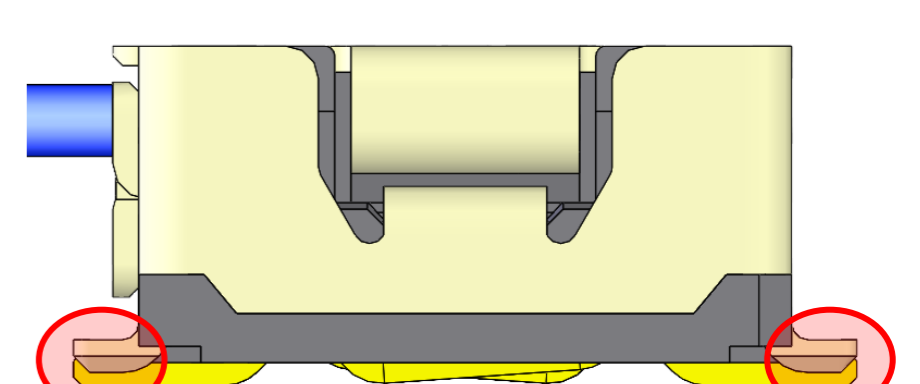


Cross-section A-A



Cross-section B-B

○ Soldered contacts
○ Mechanical contacts



Receptacle Shell to PCB

Wire Shield to Ground Bar

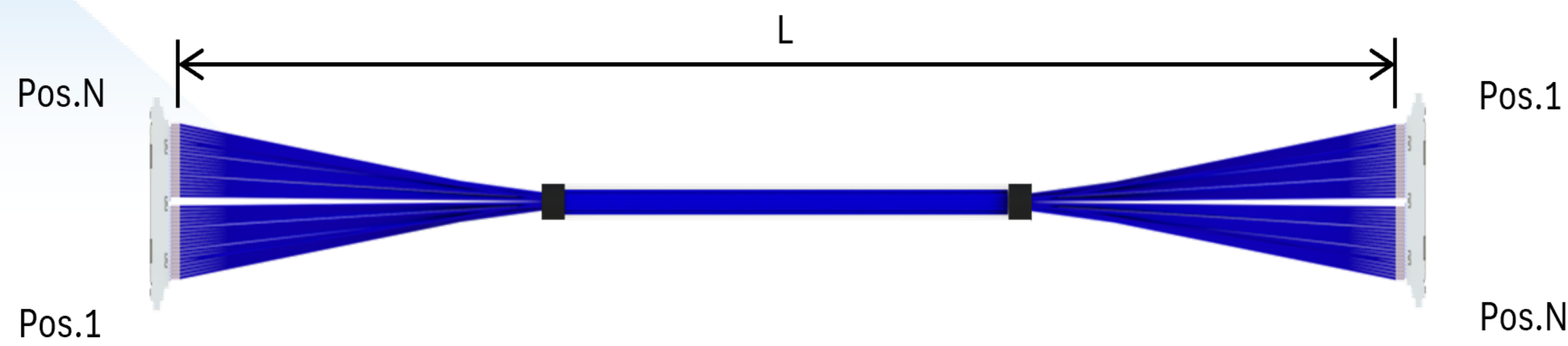
Ground Bar to Plug Shell

Plug Shell to Receptacle Shell

Receptacle Shell to PCB

CABLINE[®] -UX II standard harness

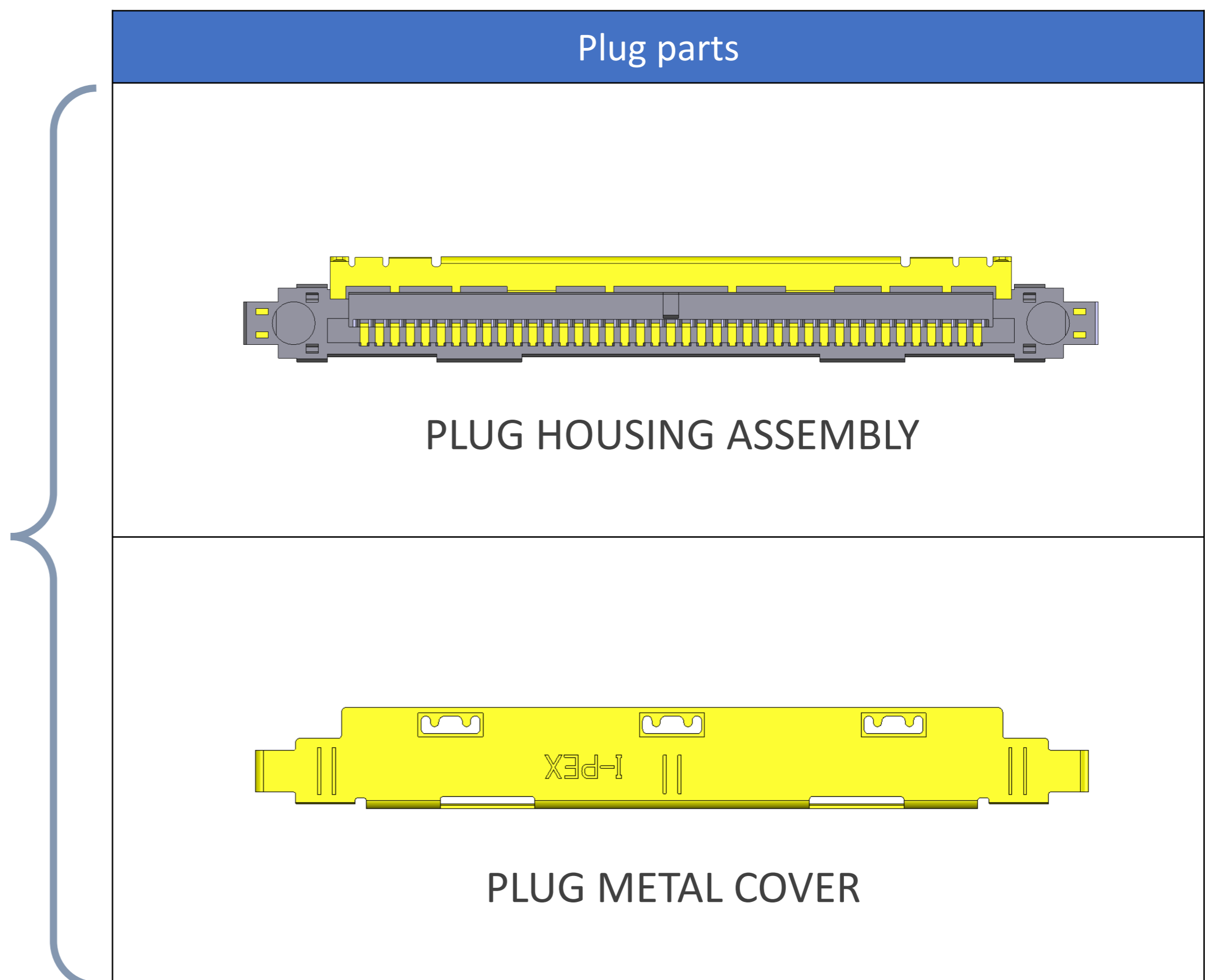
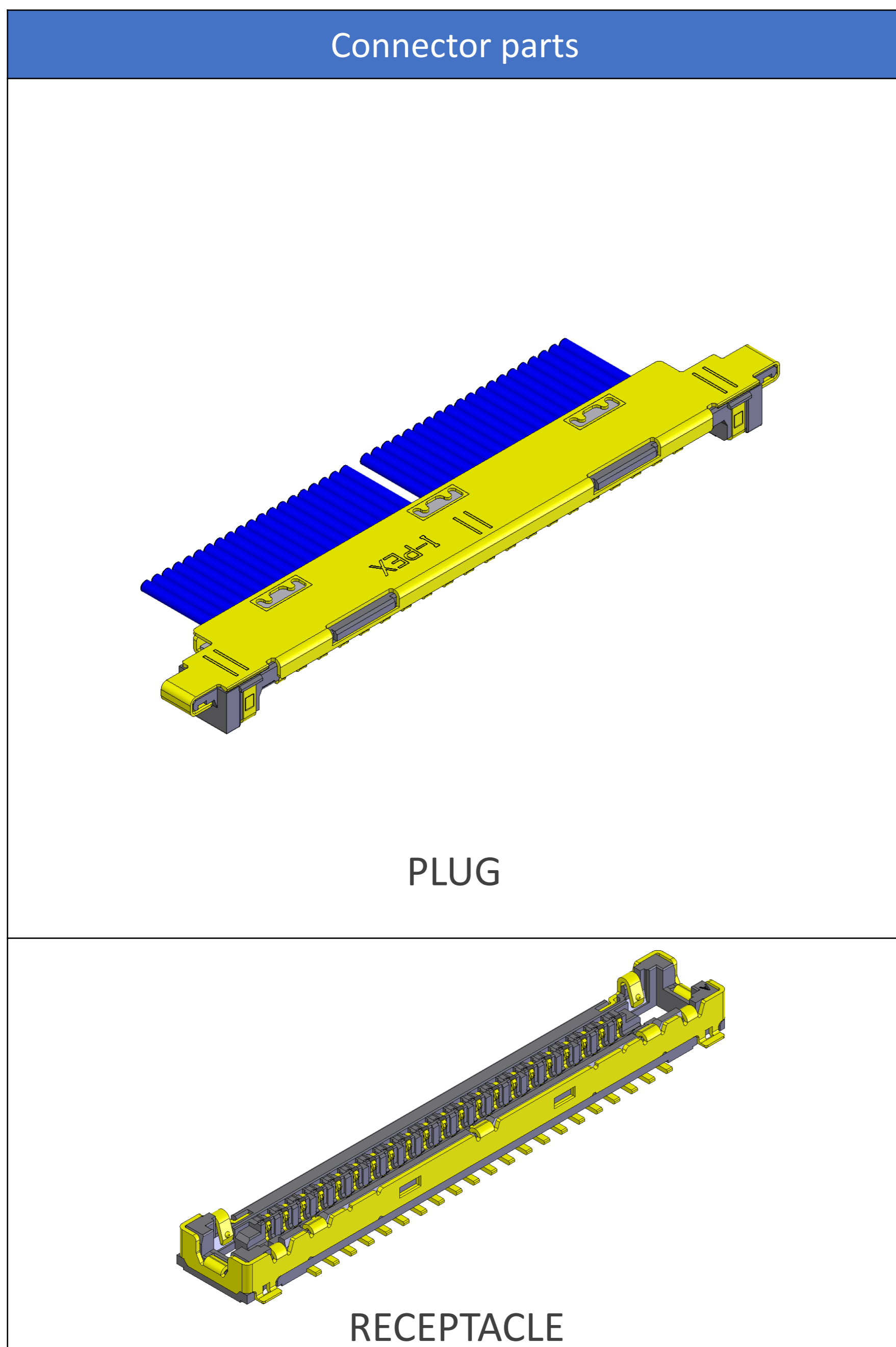
- ◆ Please click the part number to get its 2D drawing.
- ◆ Please be advised that if it becomes necessary to change the harness specifications, the part number will also need to be updated. The following part number is valid only when used with the harness specifications shown below.
- ◆ Please contact us via [Inquiry form](#) for other harness specifications.



Part Number Description	Part Number (Link to Drawing)	Sample available
CABLINE-UX II harness 30pin micro-coaxial 46AWG L=300mm 1-N	82070-100B-02-D	Buy from Digikey
CABLINE-UX II harness 34pin micro-coaxial 46AWG L=200mm 1-N	82656-100B-02-D	Buy from Digikey
CABLINE-UX II harness 34pin micro-coaxial 46AWG L=300mm 1-N	82657-100B-02-D	Buy from Digikey
CABLINE-UX II harness 40pin micro-coaxial 46AWG L=200mm 1-N	82658-100B-02-D	Buy from Digikey
CABLINE-UX II harness 40pin micro-coaxial 46AWG L=300mm 1-N	82446-100B-02-D	Buy from Digikey
CABLINE-UX II harness 50pin micro-coaxial 46AWG L=200mm 1-N	82659-100B-02-D	Buy from Digikey
CABLINE-UX II harness 50pin micro-coaxial 46AWG L=300mm 1-N	82447-100B-02-D	Buy from Digikey

Component Parts Details

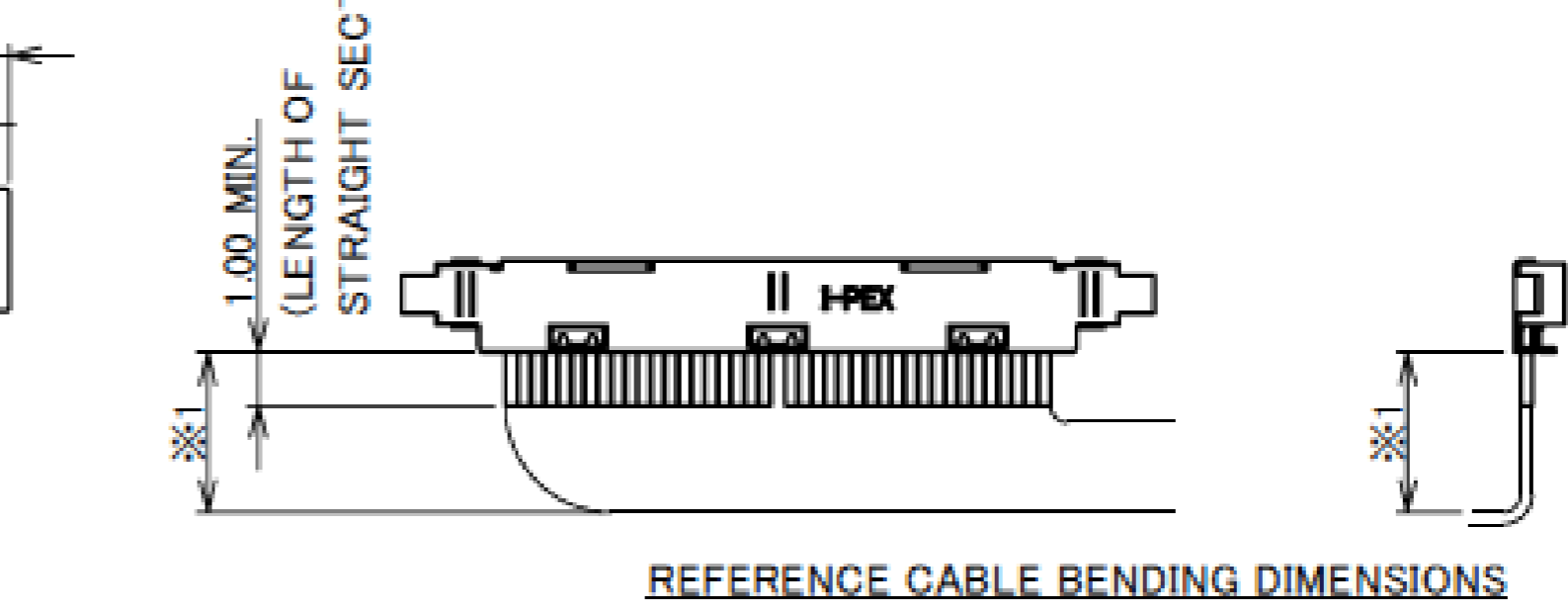
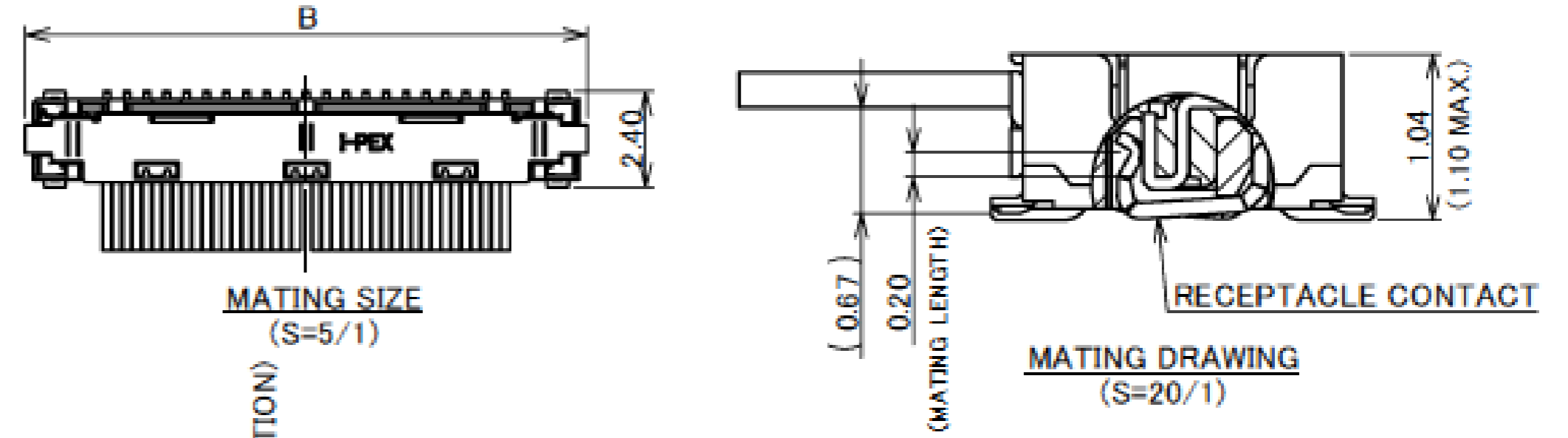
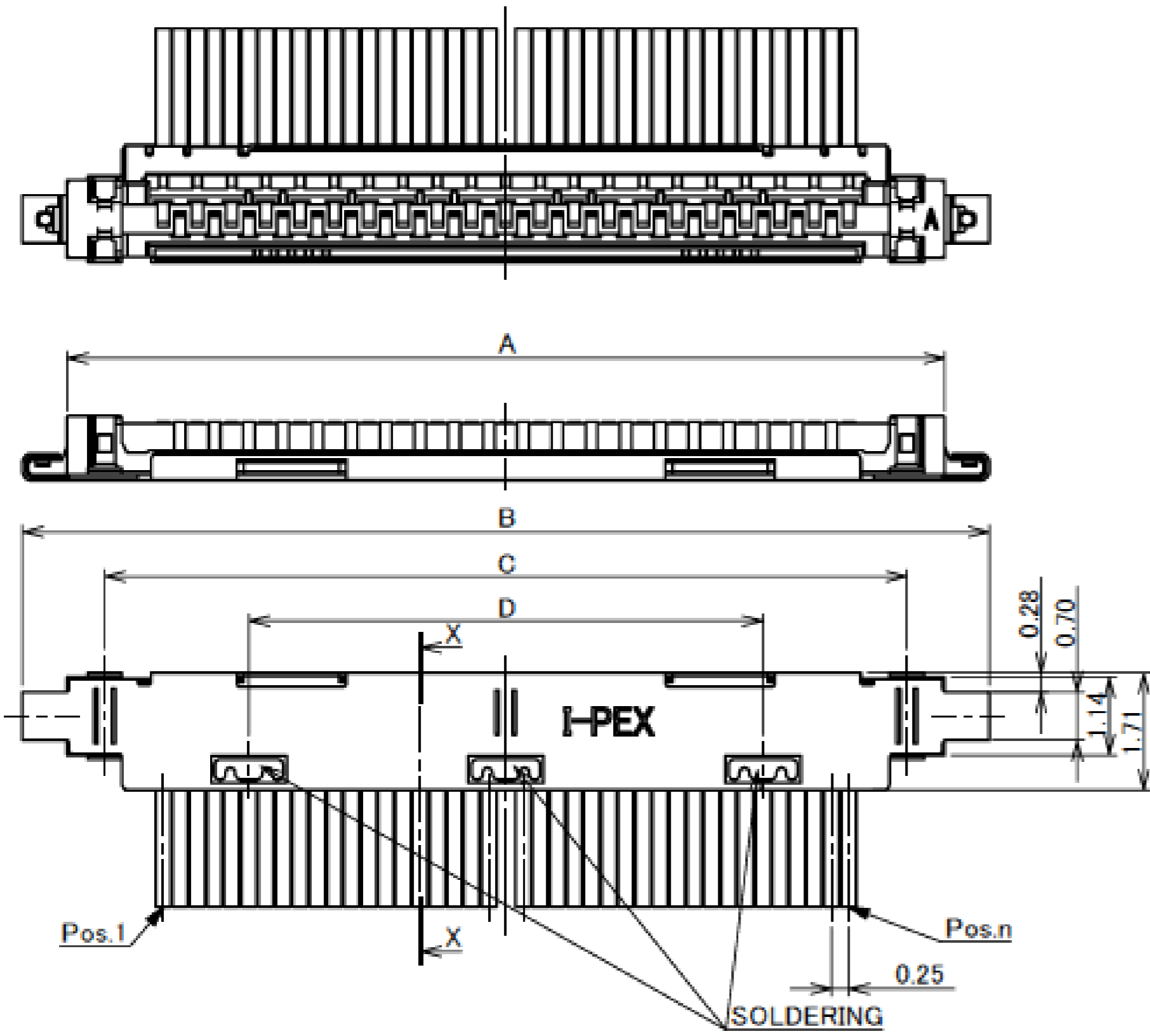
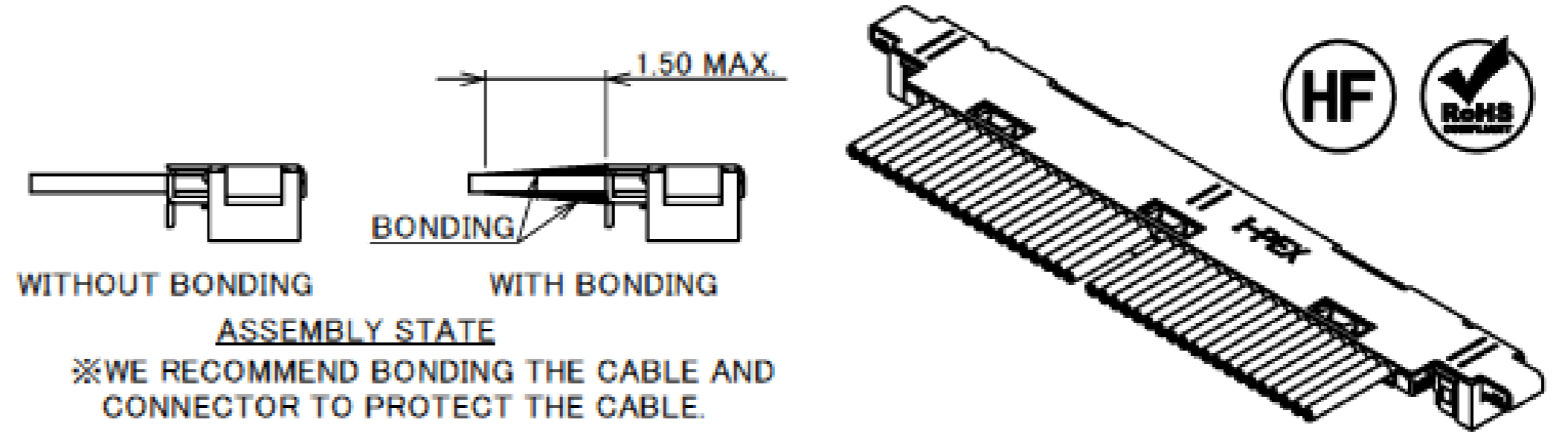
Component Parts



Plug for Cable Assembly

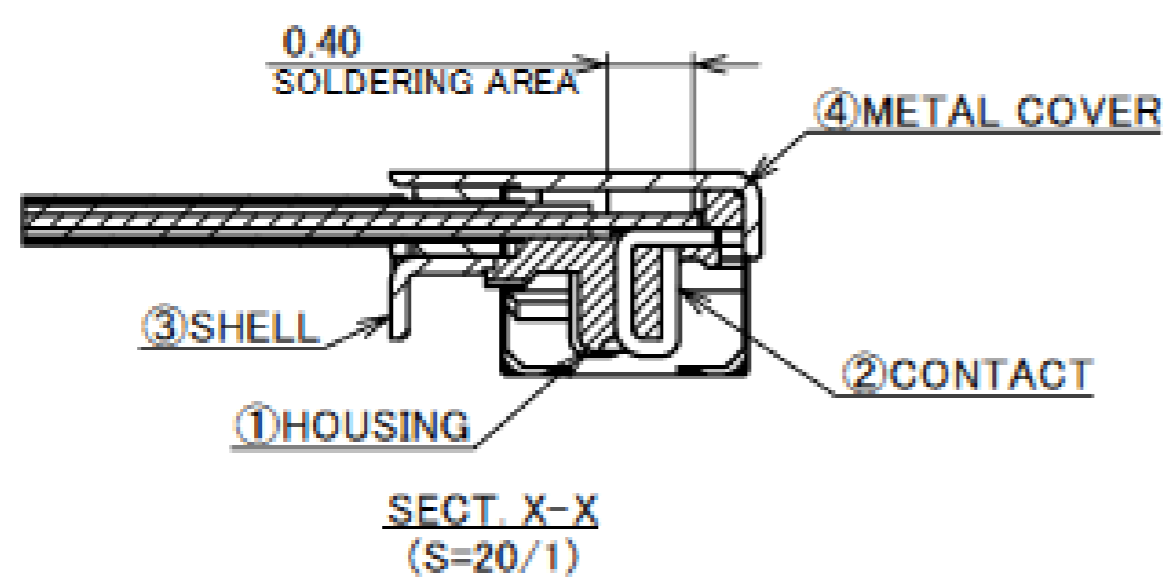
RECOMMENDED PART No.		20531-0**T-02-1			
PART No.	A	B	C	D	
20531-030T-02-1	10.3	11.6	9.2	5.0	
20531-034T-02-1	11.3	12.6	10.2	6.0	
20531-040T-02-1	12.8	14.1	11.7	7.5	
20531-050T-02-1	15.3	16.6	14.2	10.0	

20531-0**T-02-1
Pos.



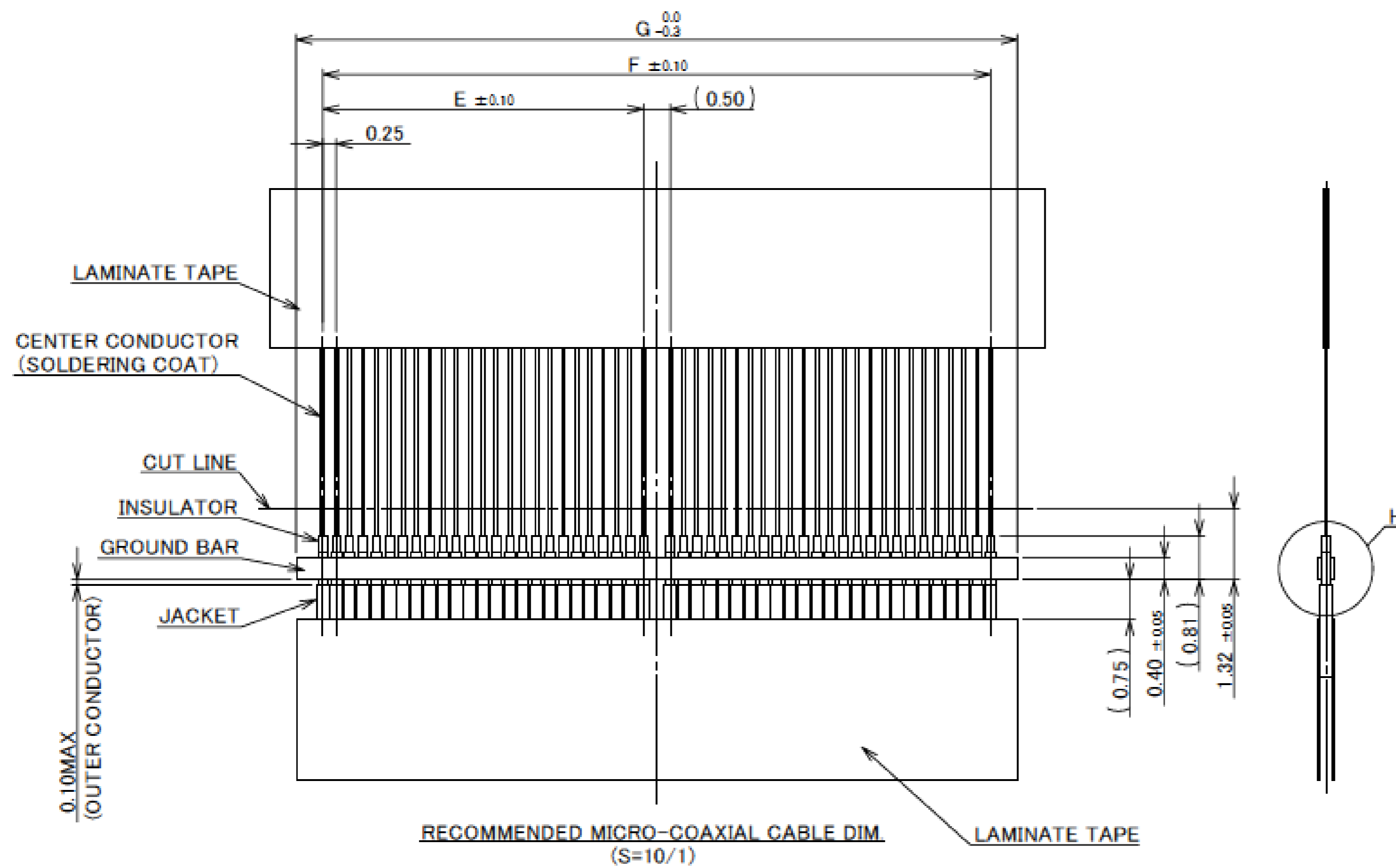
※1: THE BEND DIMENSIONS MAY VARY BASED ON THE SIZE AND QUANTITY OF CABLES. PLEASE CONFIRM THE MINIMUM BENDING RADIUS WITH I-PEX OR THE HARNESS MANUFACTURER.

NO.	DISCRIPTION	MATERIAL	FINISH, REMARKS
4	METAL COVER	SUS	Au 0.05 μm MIN. OVER Ni 1.0 μm MIN.
3	SHELL	PHOSPHOR BRONZE	Au 0.05 μm MIN. OVER Ni 1.0 μm MIN.
2	CONTACT	PHOSPHOR BRONZE	Au 0.1 μm MIN. OVER Ni 1.0 μm MIN.
1	HOUSING	LCP	UL94V-0 .BLACK



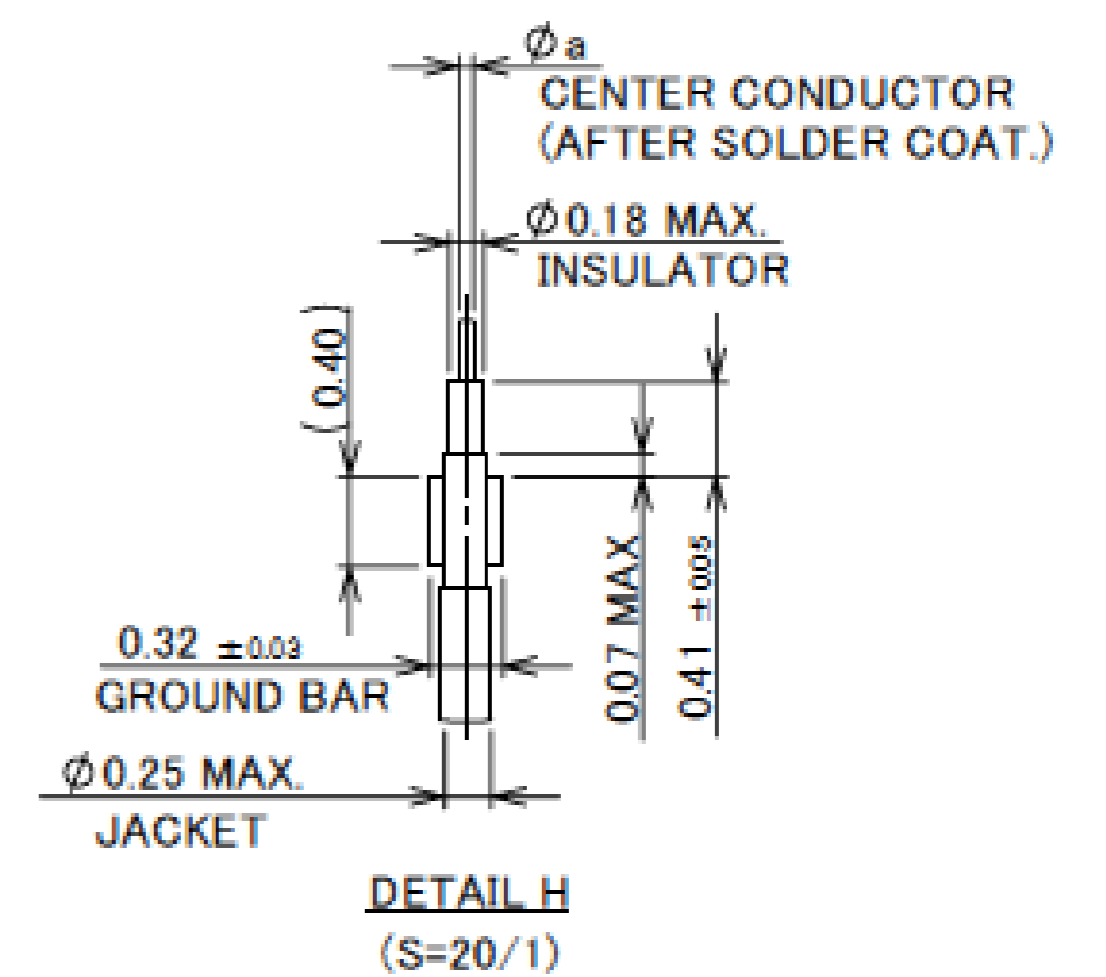
Rev.15

PART No.	E	F	G
20531-030T-02-1	3.5	7.5	8.5
20531-034T-02-1	4.0	8.5	9.5
20531-040T-02-1	4.75	10.0	11.0
20531-050T-02-1	6.0	12.5	13.5



MICRO-COAXIAL CABLE DIMENSION

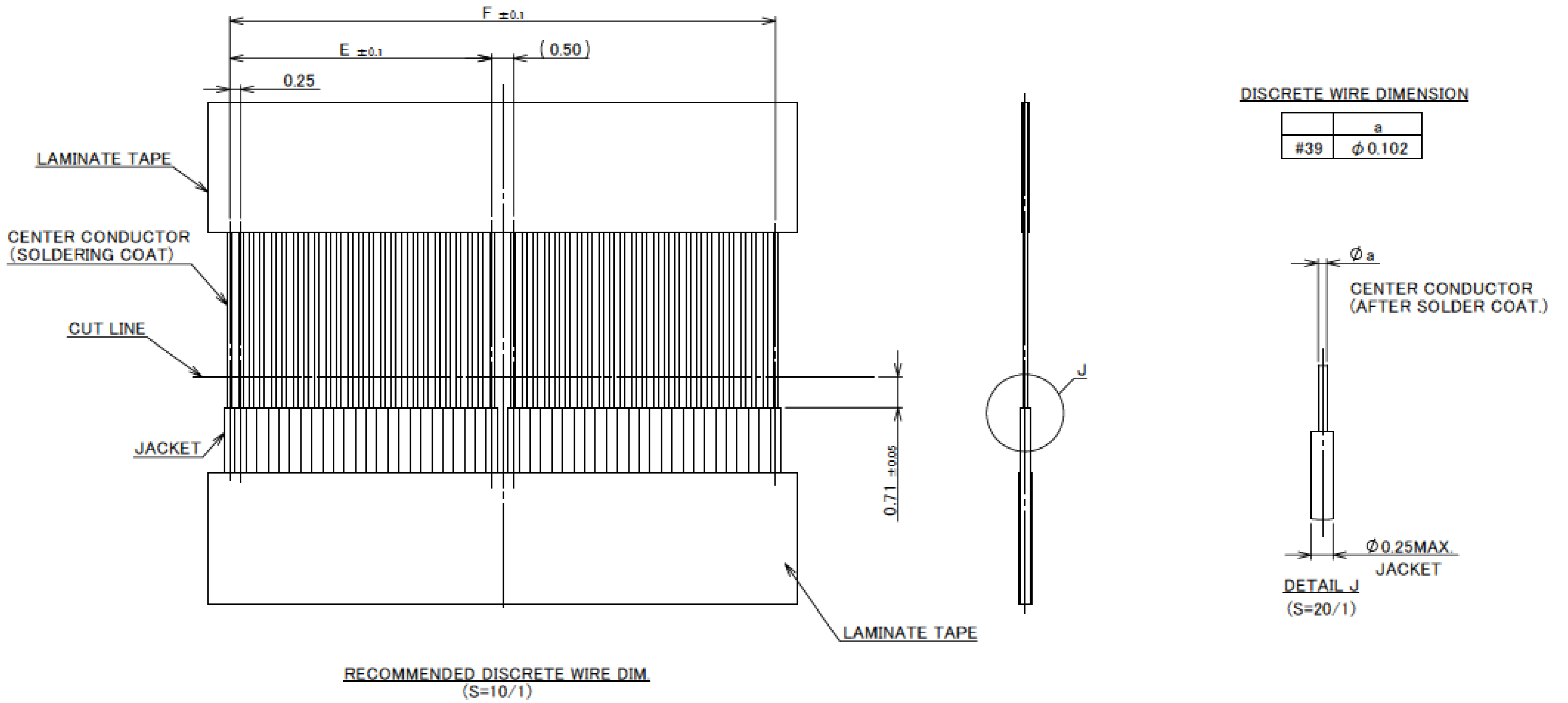
	a
#44	φ 0.063
#46	φ 0.048



Rev.15

Plug for Cable Assembly

PART No.	E	F
20531-030T-02-1	3.5	7.5
20531-034T-02-1	4.0	8.5
20531-040T-02-1	4.75	10.0
20531-050T-02-1	6.0	12.5



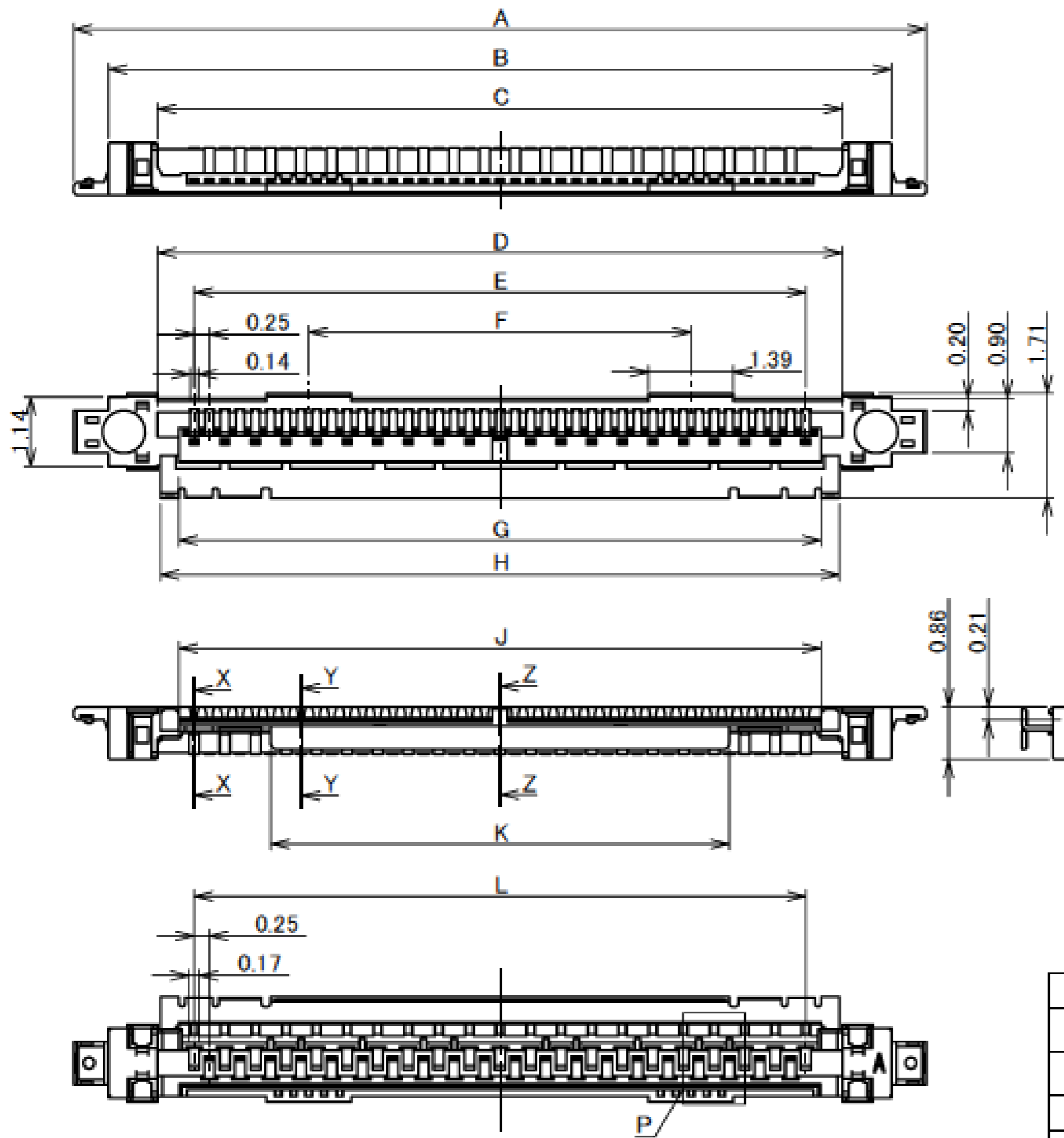
Rev.15

ITEMS	SPECIFICATION
APPLICABLE CABLE	MICRO-COAXIAL CABLE : AWG# 44 ,46 DISCRETE WIRE : AWG#39
RATING VOLTAGE	50V AC (PER CONTACT PIN) ※THIS IS THE RATED VOLTAGE OF THE CONNECTOR. PLEASE NOTE THAT THE RATED VOLTAGE MAY VARY IN THE HARNESS DEPENDING ON THE CABLES USED.
RATING AMPERAGE (FOR CONTACT)	0.50A AC/DC [AWG#39] (PER CONTACT PIN / UP TO 6 CONTACTS) 0.15A AC/DC [AWG#44] 0.10A AC/DC [AWG#46] ※TESTING BY A REAL MACHINE IS RECOMMENDED BECAUSE TEMPERATURE RISE MAY AFFECTED BY ACTUAL SITUATION
OPERATING TEMPERATURE	233~358K(-40°C~+85°C)
OPERATING HUMIDITY	75% MAX.(NON-CONDENSING)
CONTACT RESISTANCE	INITIAL : 450mohm MAX.(AWG#39) 1080mohm MAX.(AWG#44) 1880mohm MAX.(AWG#46) AFTER TEST : \triangleleft 40mohm MAX.
GROUND SHELL RESISTANCE	INITIAL : 100mohm MAX. / AFTER TEST : \triangleleft 40mohm MAX.
INSULATION RESISTANCE	INITIAL : 100Mohm MIN. / AFTER TEST : 100Mohm MIN.
DIELECTRIC WITHSTANDING VOLTAGE	AC100V 1min
DURABILITY	20 CYCLES
MATING FORCE (INITIAL / AFTER TEST)	30P : 26.4N MAX. 34P : 27.6N MAX. 40P : 29.4N MAX. 50P : 32.4N MAX.
UNMATING FORCE (INITIAL / AFTER TEST)	30P : 1.5N MIN. 34P : 1.9N MIN. 40P : 2.5N MIN. 50P : 3.5N MIN.
CABLE RETENTION FORCE	30P : 15.0N MIN. 34P : 17.0N MIN. 40P : 20.0N MIN. 50P : 25.0N MIN.
PRODUCT SPECIFICATION	PRS-2887
TEST REPORT	TR-24028
INSTRUCTION MANUAL	HIM-10001
ASSEMBLY MANUAL	ASM-10001
APPEARANCE CRITERIA No.	QLS-A***

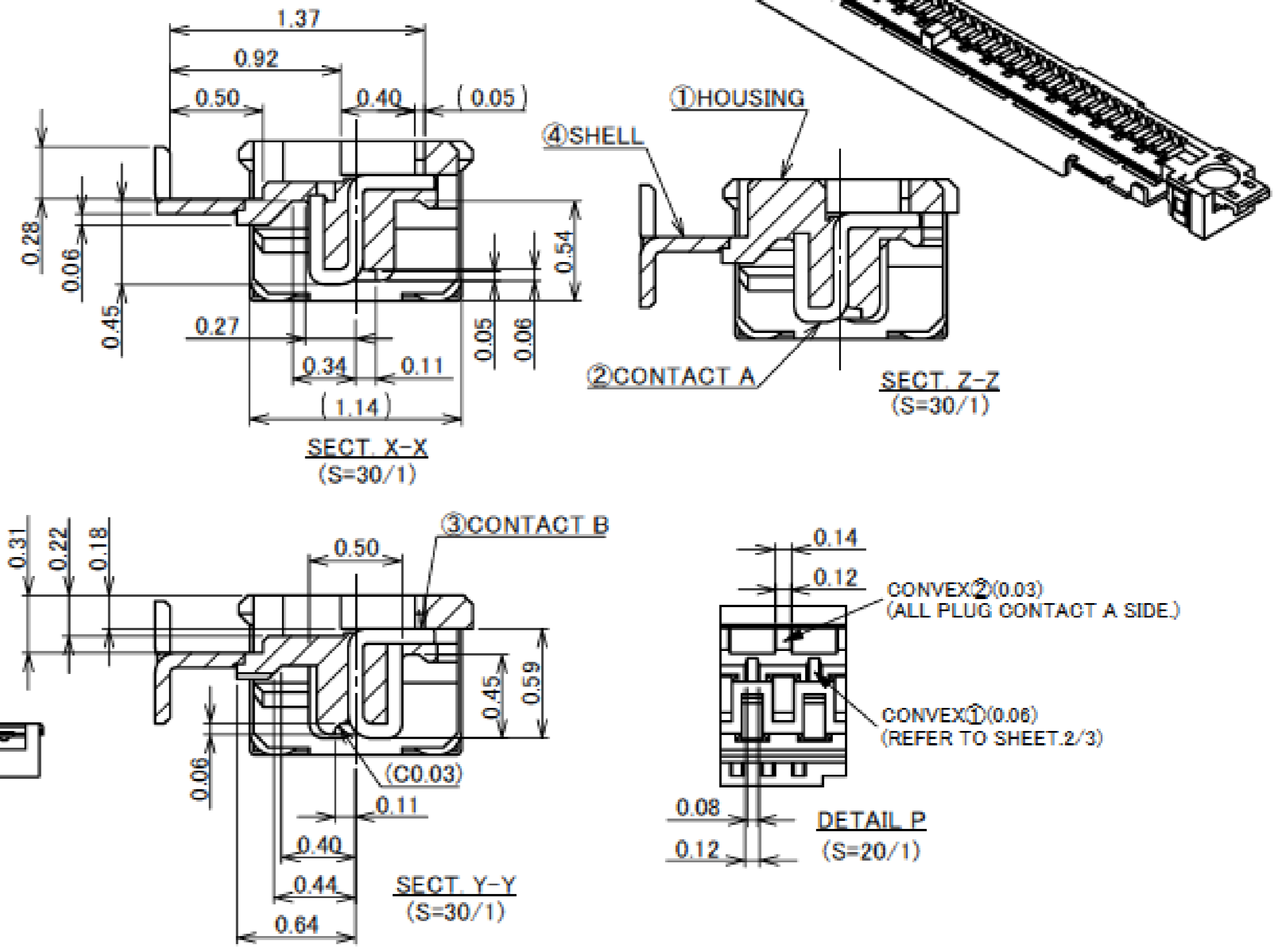
Rev.15

Plug Housing Assembly

RECOMMENDED PART No.		20532-0**T-02-1										
PART No.	Pos	A	B	C	D	E	F	G	H	J	K	L
20532-030T-02-1	30	11.44	10.30	8.70	8.70	7.50	3.75	8.00	8.60	8.00	5.00	7.50
20532-034T-02-1	34	12.44	11.30	9.70	9.70	8.50	4.75	9.00	9.60	9.00	6.00	8.50
20532-040T-02-1	40	13.94	12.80	11.20	11.20	10.00	6.25	10.50	11.10	10.50	7.50	10.00
20532-050T-02-1	50	16.44	15.30	13.70	13.70	12.50	6.25	13.00	13.60	13.00	10.00	12.50

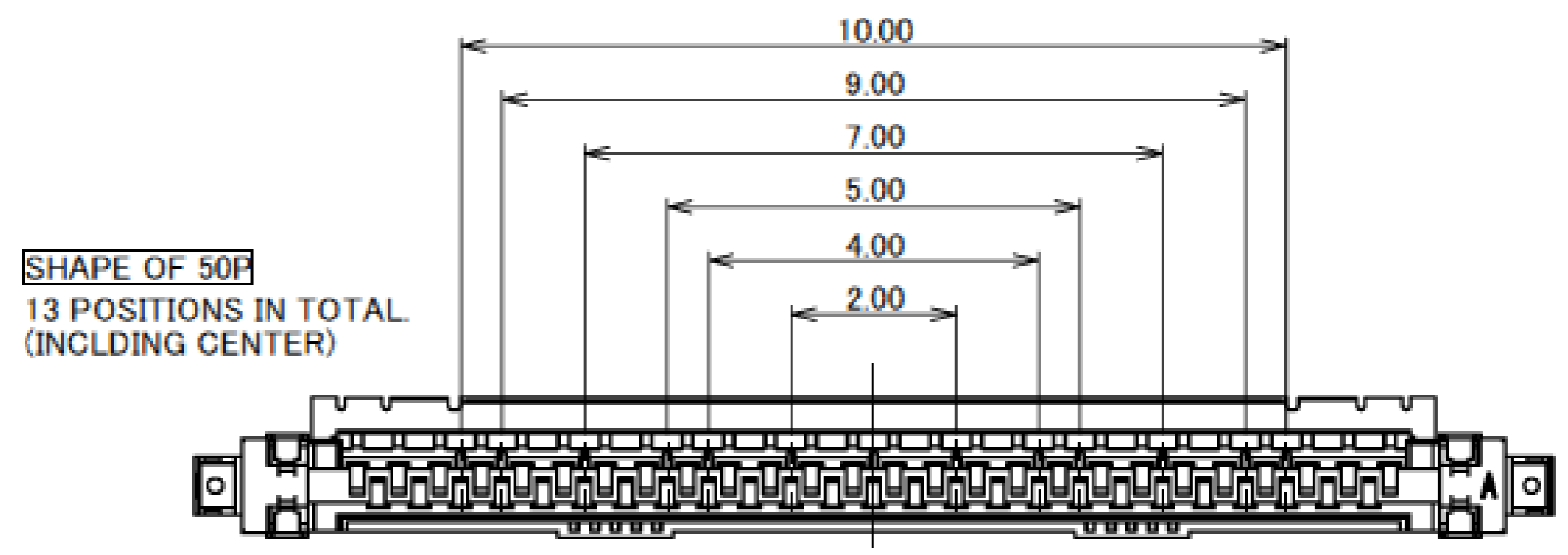
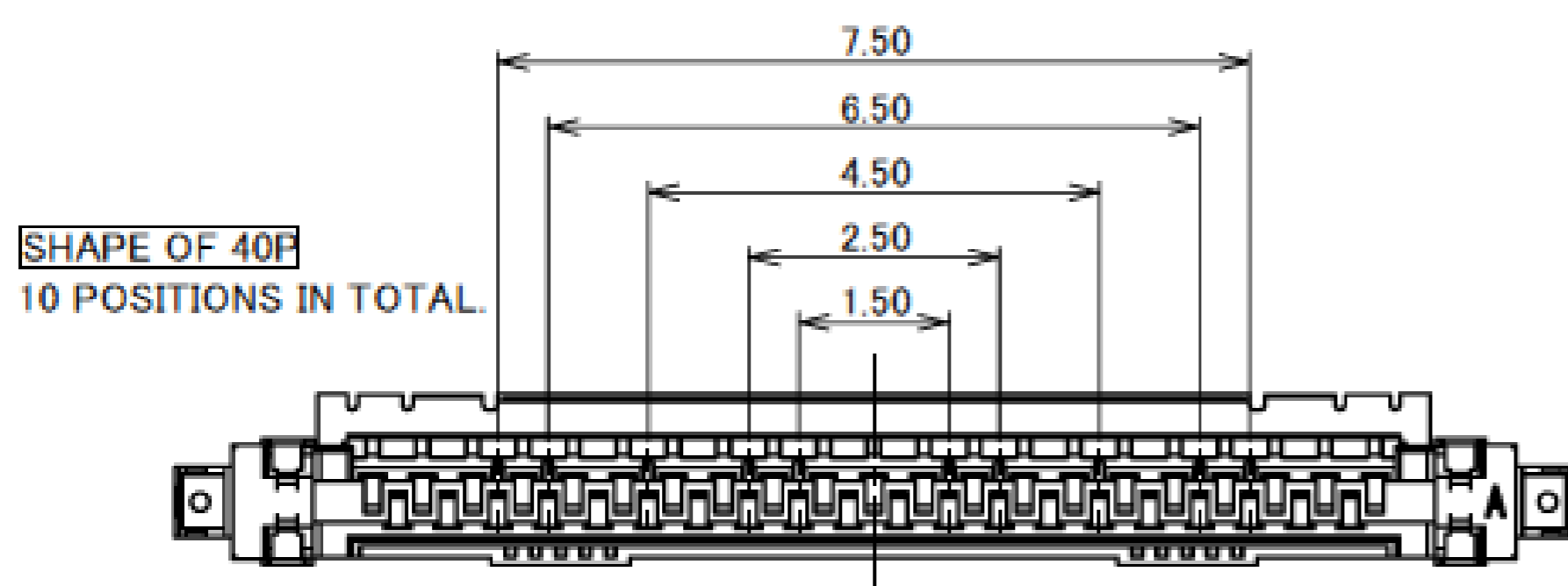
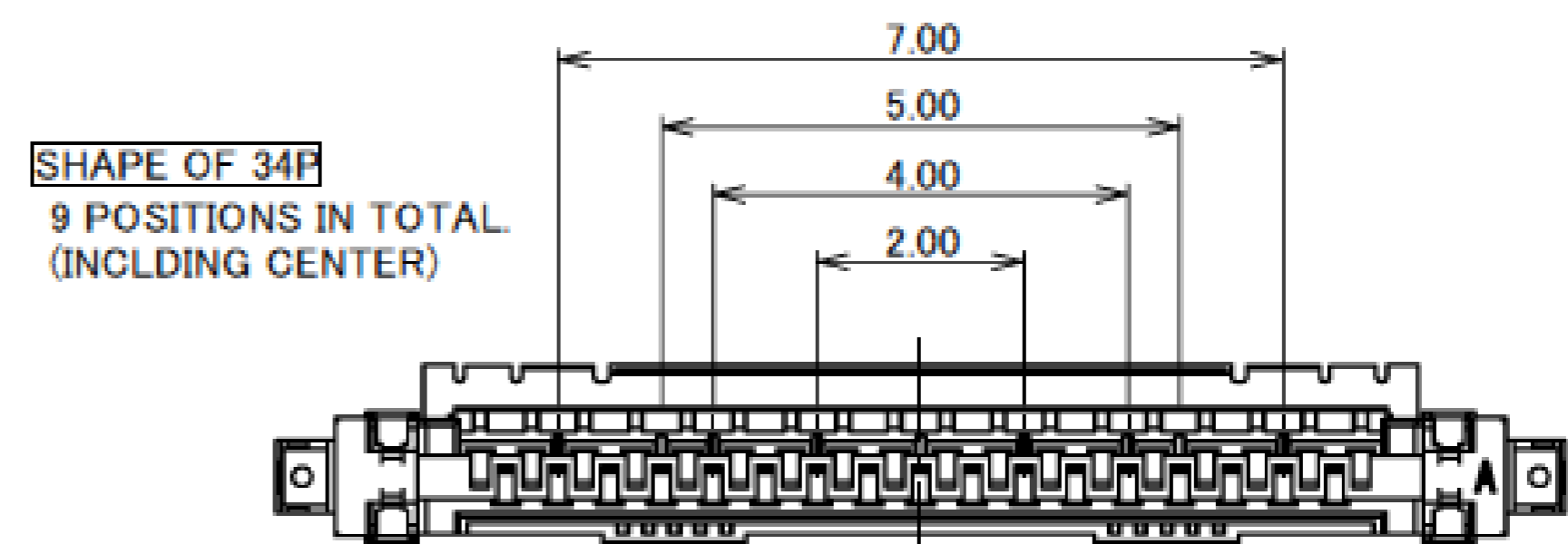
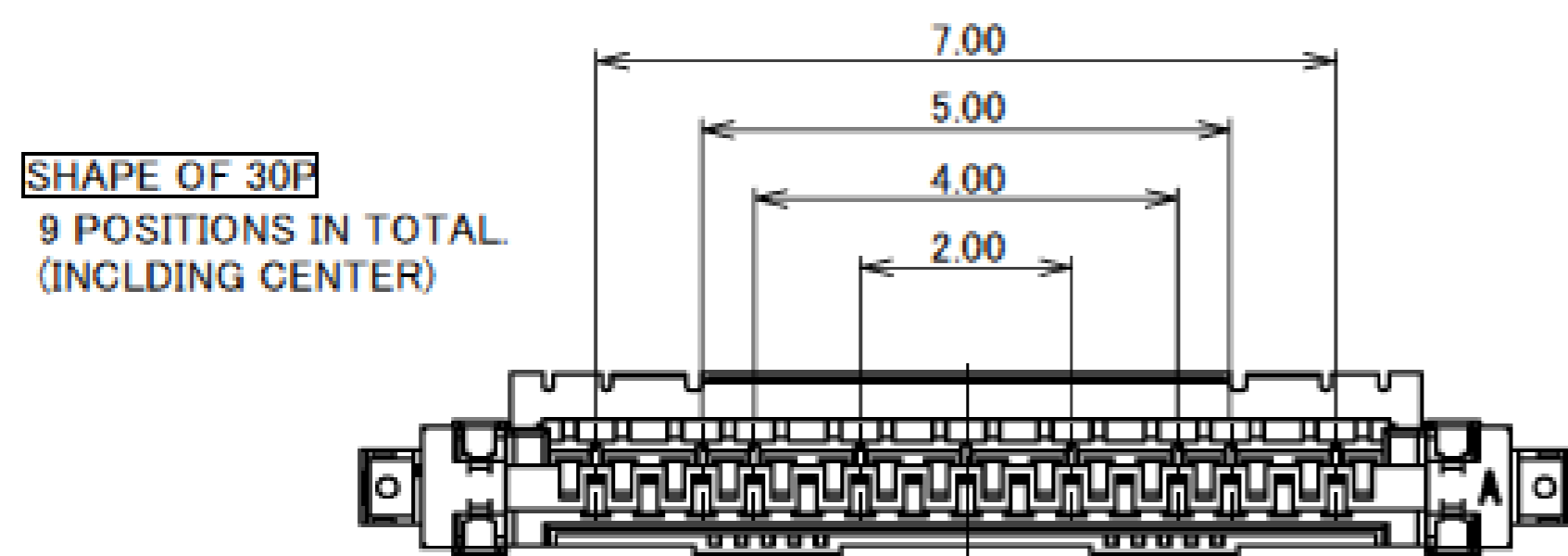


20532-0**T-02-1
Pos.



NO.	DISCRIPTION	MATERIAL	FINISH, REMARKS
4	SHELL	PHOSPHOR BRONZE	Au 0.05 μm MIN. OVER Ni 1.00 μm MIN.
3	CONTACT B	PHOSPHOR BRONZE	Au 0.1 μm MIN. OVER Ni 1.00 μm MIN.
2	CONTACT A	PHOSPHOR BRONZE	Au 0.1 μm MIN. OVER Ni 1.00 μm MIN.
1	HOUSING	LCP	UL94V-0_BLACK

Rev.9

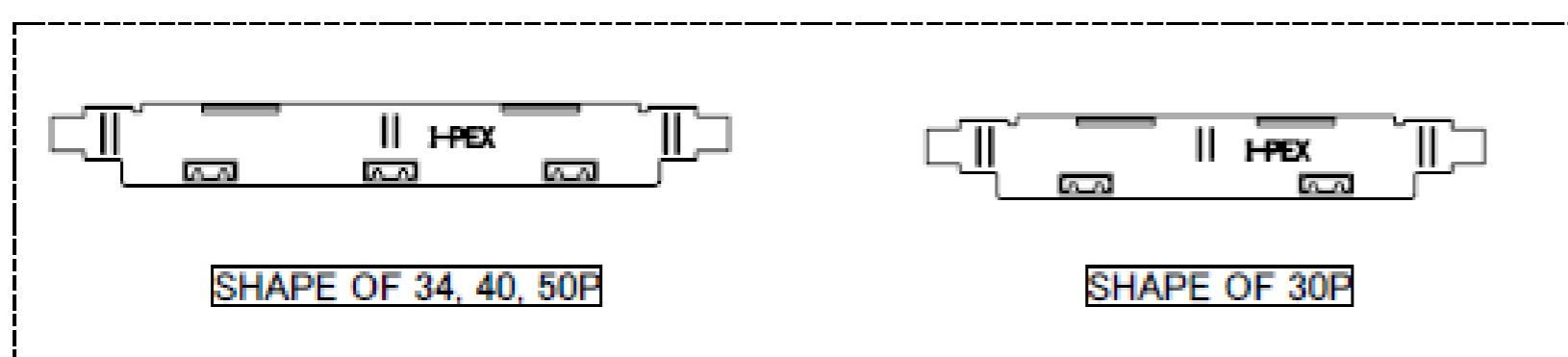
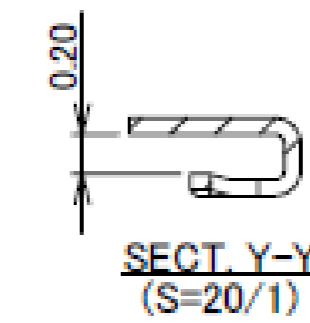
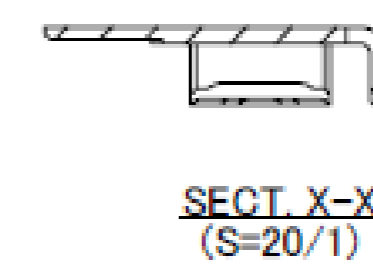
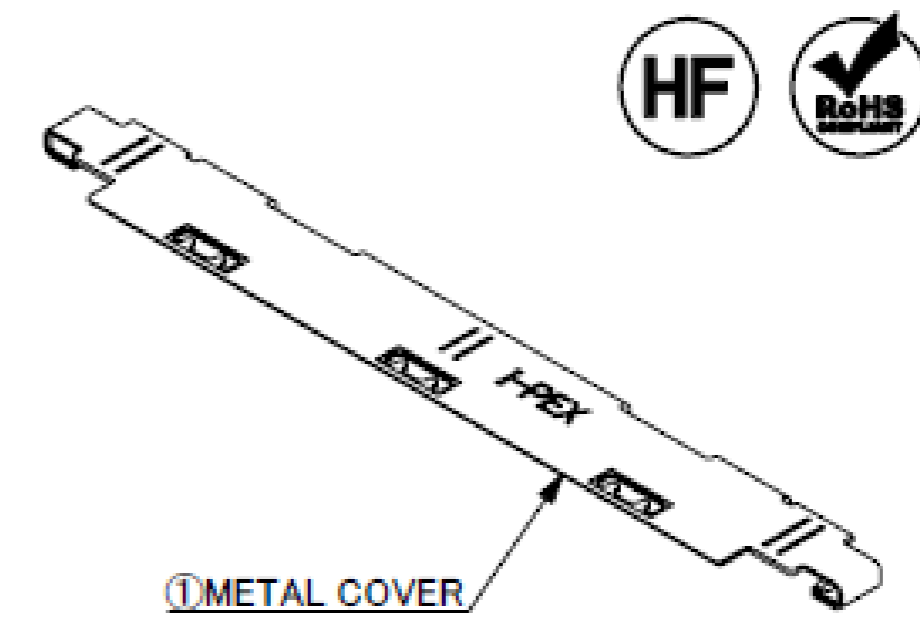
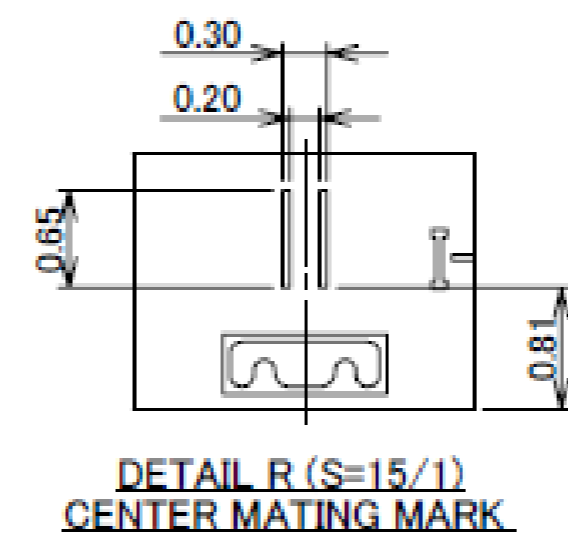
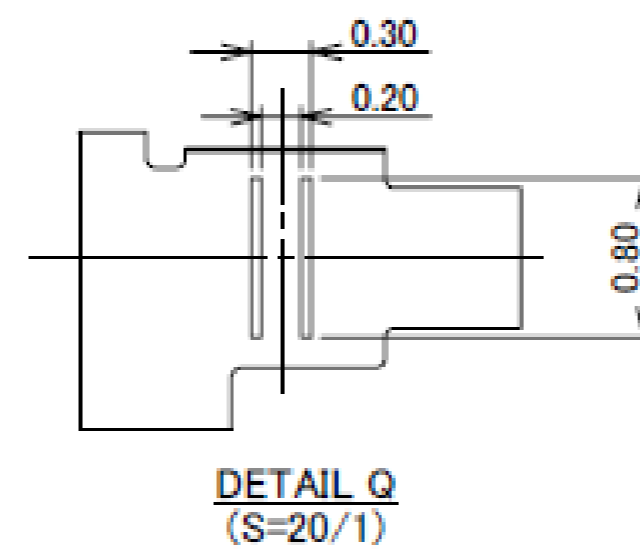
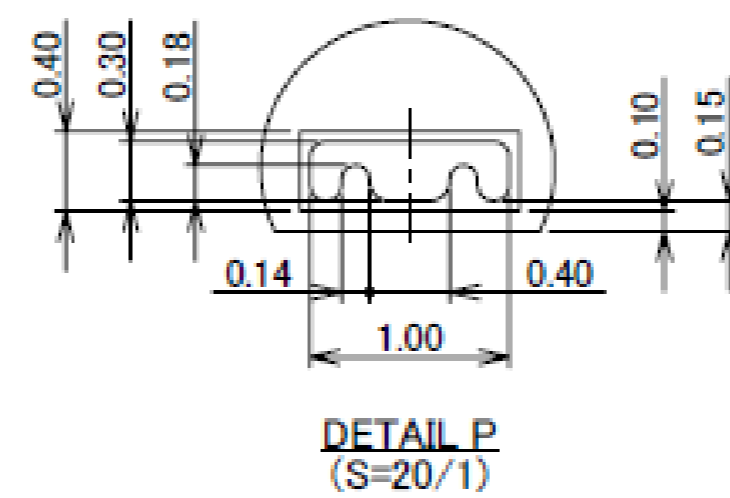
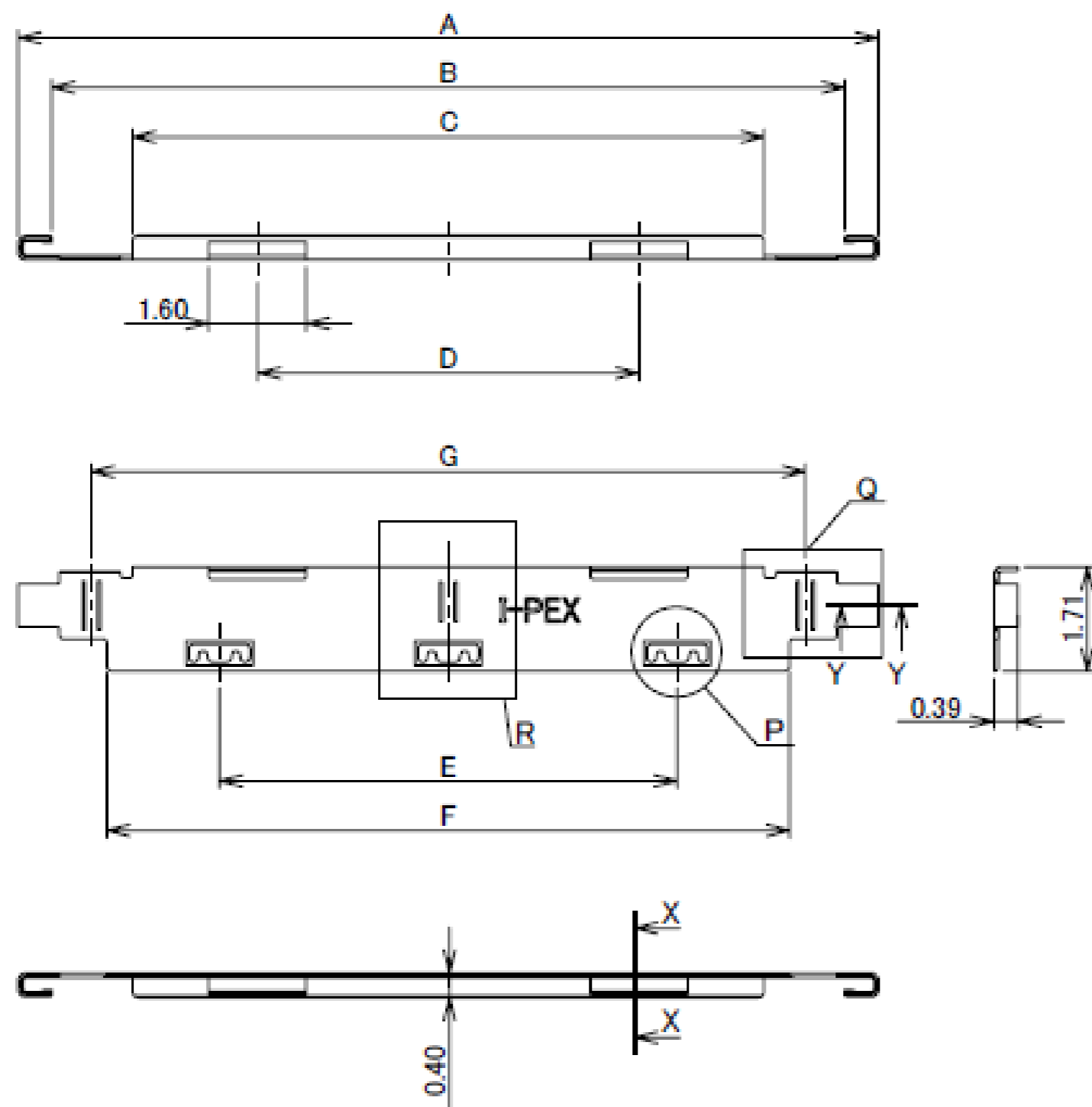


POSITION OF CONVEX(1)

Rev.9

Plug Metal Cover

Recommended P/N	2799-0**1						
PART No.	A	B	C	D	E	F	G
2799-0301	11.60	10.50	7.85	3.75	5.00	8.70	9.20
2799-0341	12.60	11.50	8.85	4.75	6.00	9.70	10.20
2799-0401	14.10	13.00	10.35	6.25	7.50	11.20	11.70
2799-0501	16.60	15.50	12.85	6.25	10.00	13.70	14.20

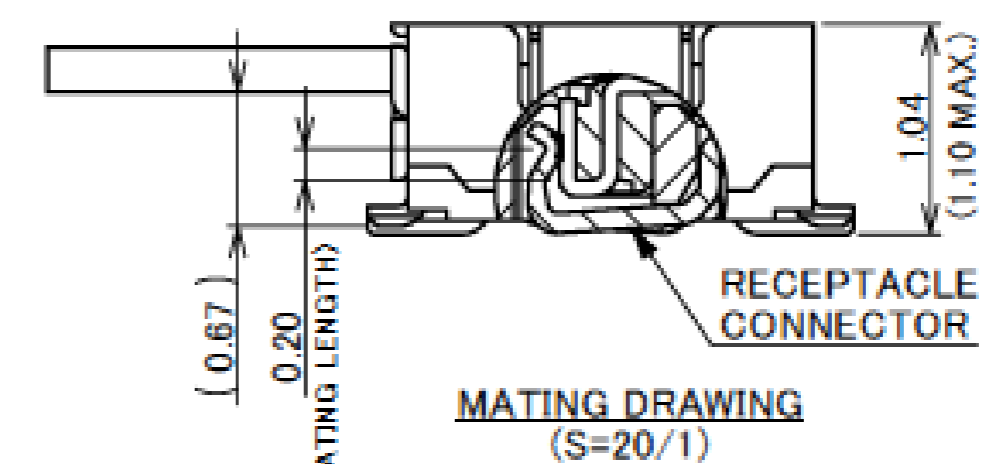
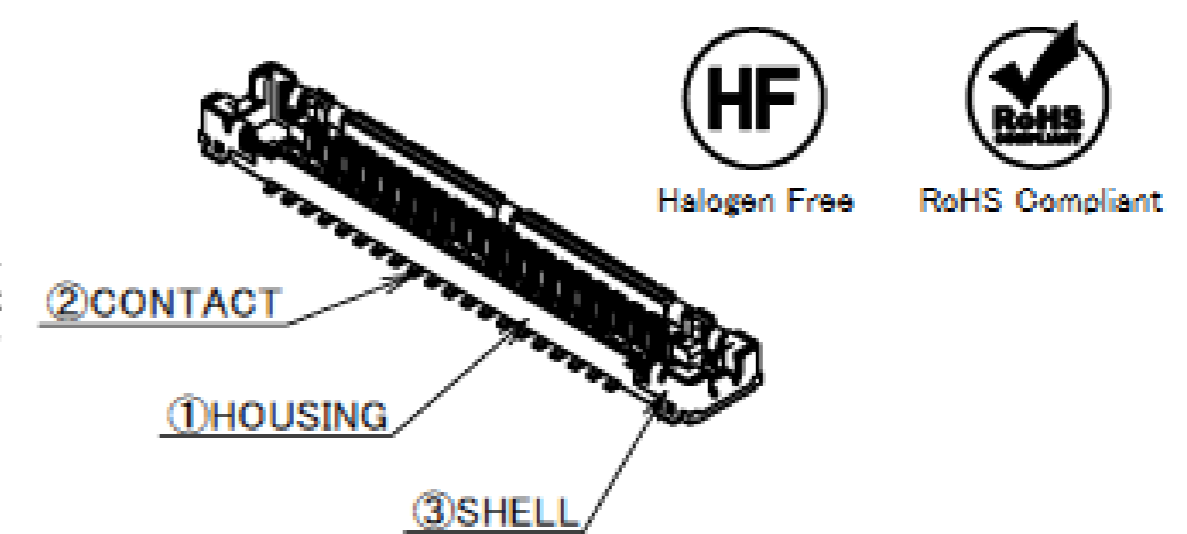
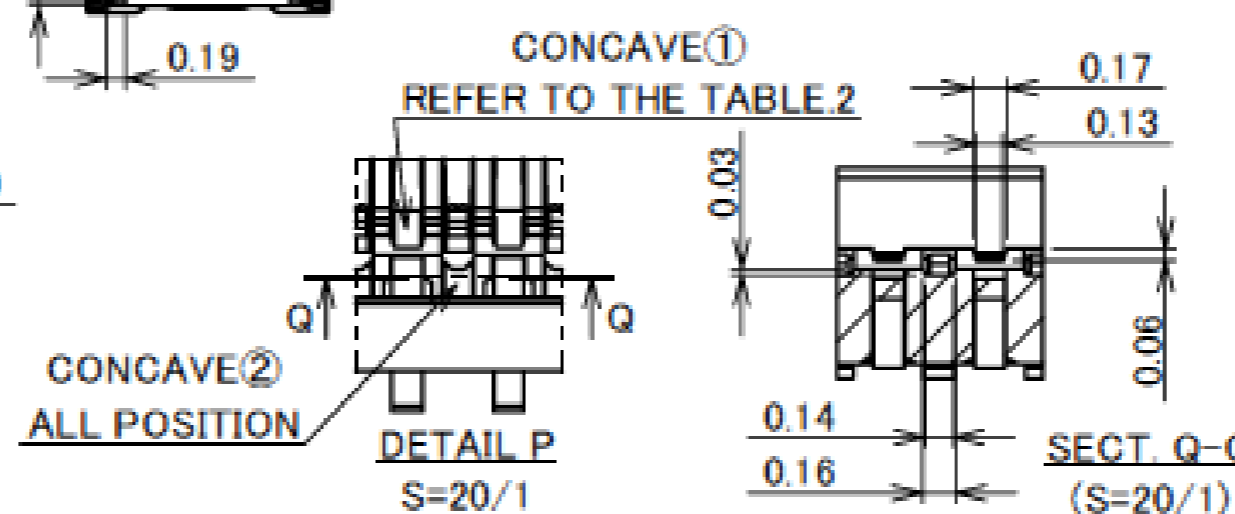
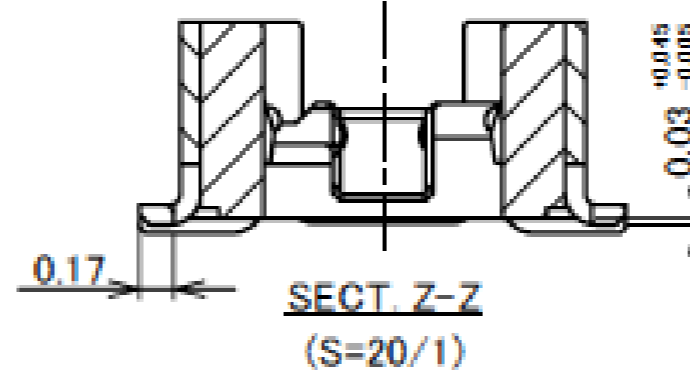
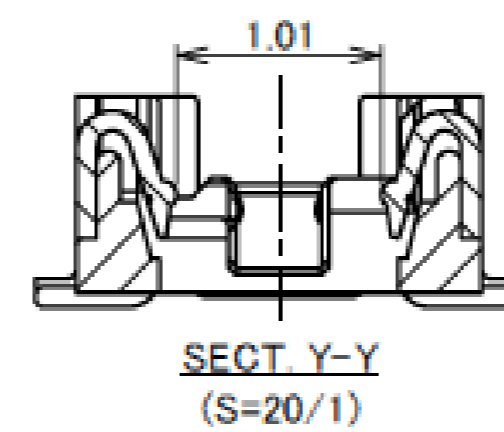
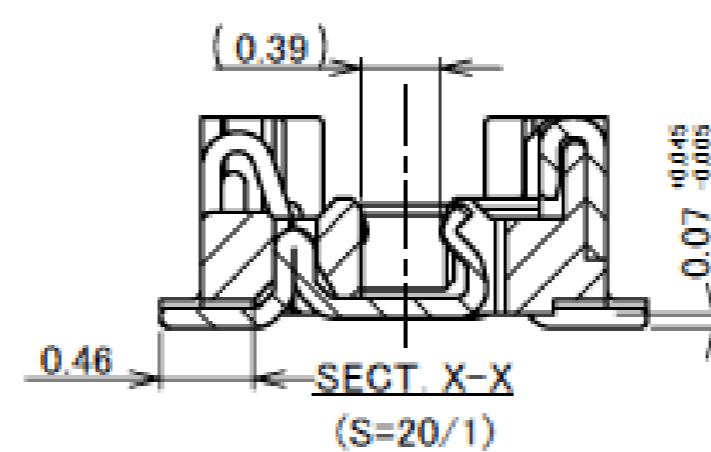
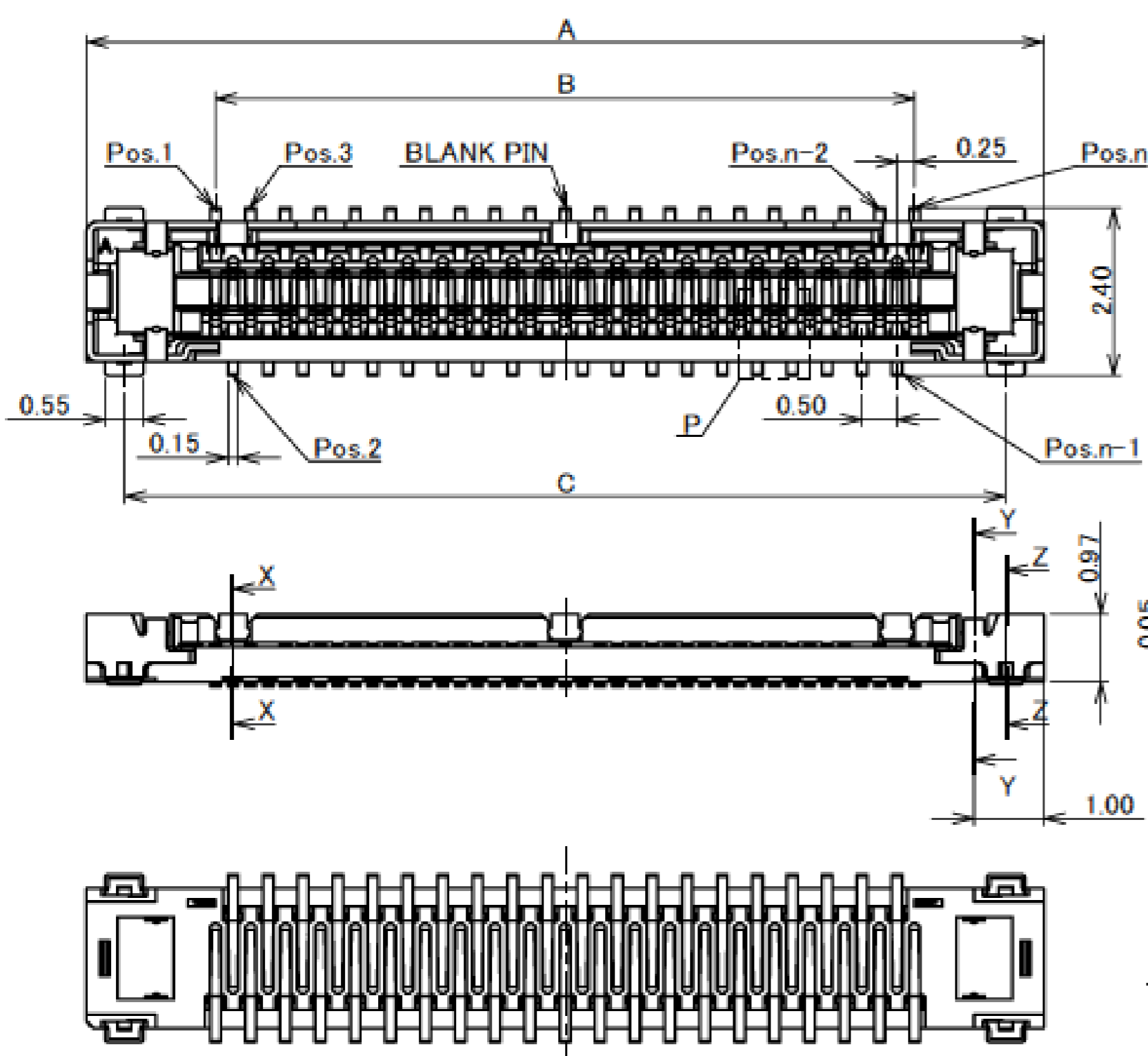


NO.	DISCRIPTION	MATERIAL	FINISH , REMARKS
1	METAL COVER	SUS	Au 0.05 μ m MIN. OVER Ni 1.00 μ m MIN.

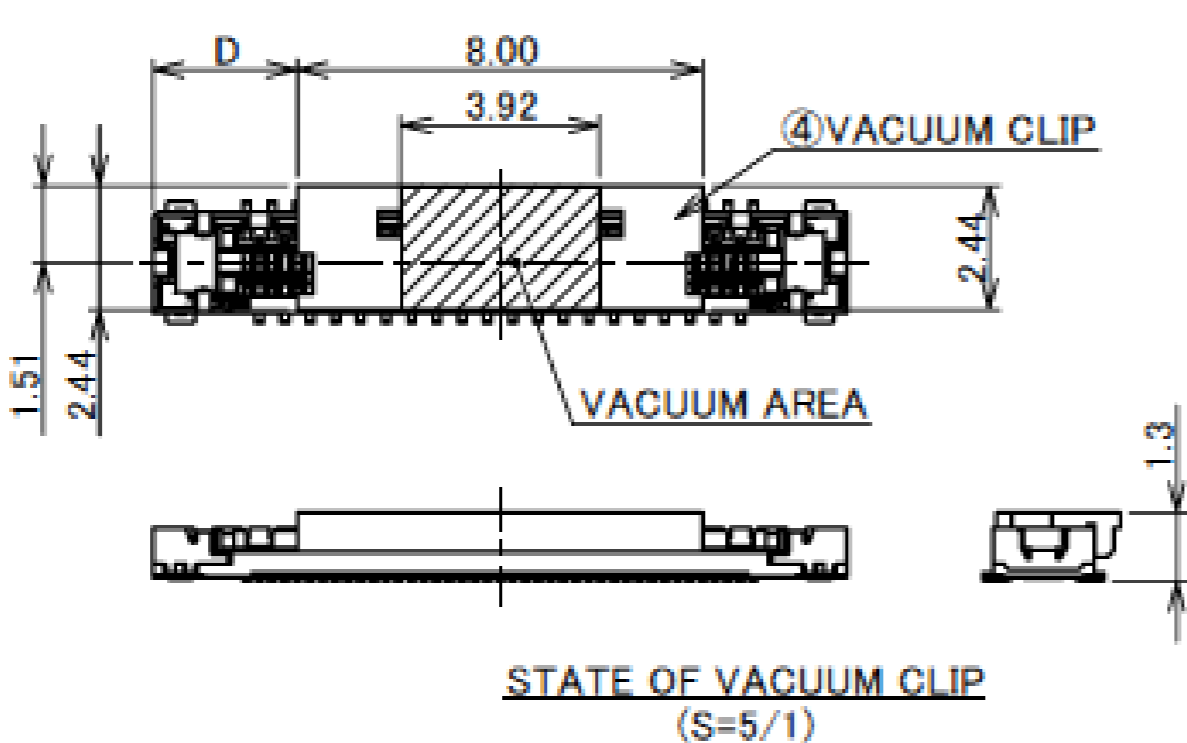
Rev.9

Receptacle Assembly

RECOMMENDED PART No.	20533-2**E				
PART NO.	Pos.	A	B	C	D
20533-230E	30	11.20	7.50	10.11	1.60
20533-234E	34	12.20	8.50	11.11	2.10
20533-240E	40	13.70	10.00	12.61	2.85
20533-250E	50	16.20	12.50	15.11	4.10



POSITION OF CONCAVE①
30P : 2, 6, 8, 12, BLANK PIN, 19, 23, 25, 29 pos. (9 POSITIONS)
34P : 4, 8, 10, 14, BLANK PIN, 21, 25, 27, 31 pos. (9 POSITIONS)
40P : 6, 8, 12, 14, 18, 23, 25, 29, 33, 35 pos. (10 POSITIONS)
50P : 6, 8, 12, 14, 18, 22, BLANK PIN, 29, 33, 37, 39, 43, 45 pos. (13 POSITIONS)

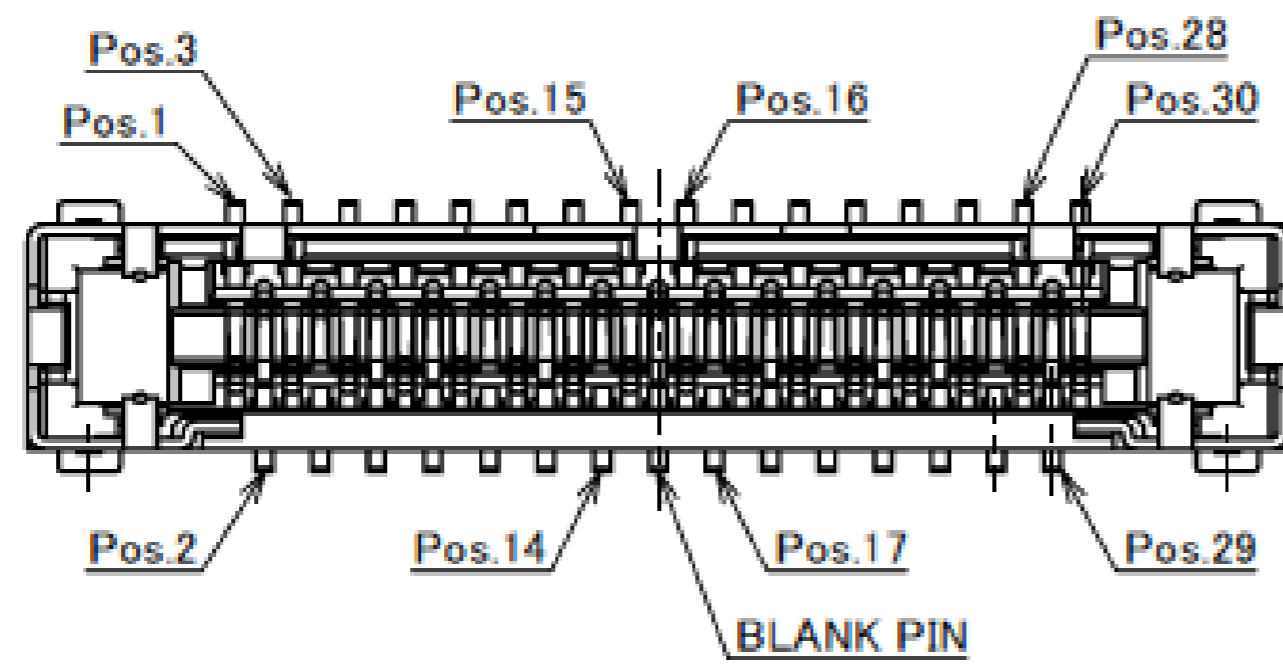


NO.	DISCRIPTION	MATERIAL	FINISH , REMARKS
4	VACUUM CLIP	LCP	UL94V-0, BEIGE
3	SHELL	PHOSPHOR BRONZE	Au 0.02 μ m MIN. OVER Ni 1.00 μ m MIN.
2	COTANCT	PHOSPHOR BRONZE	CONTACT AREA : Au 0.1 μ m MIN. OVER Ni 1.00 μ m MIN. SOLDERING AREA : Au 0.05 μ m MIN. OVER Ni 1.00 μ m MIN.
1	HOUSING	LCP	UL94V-0, BLACK

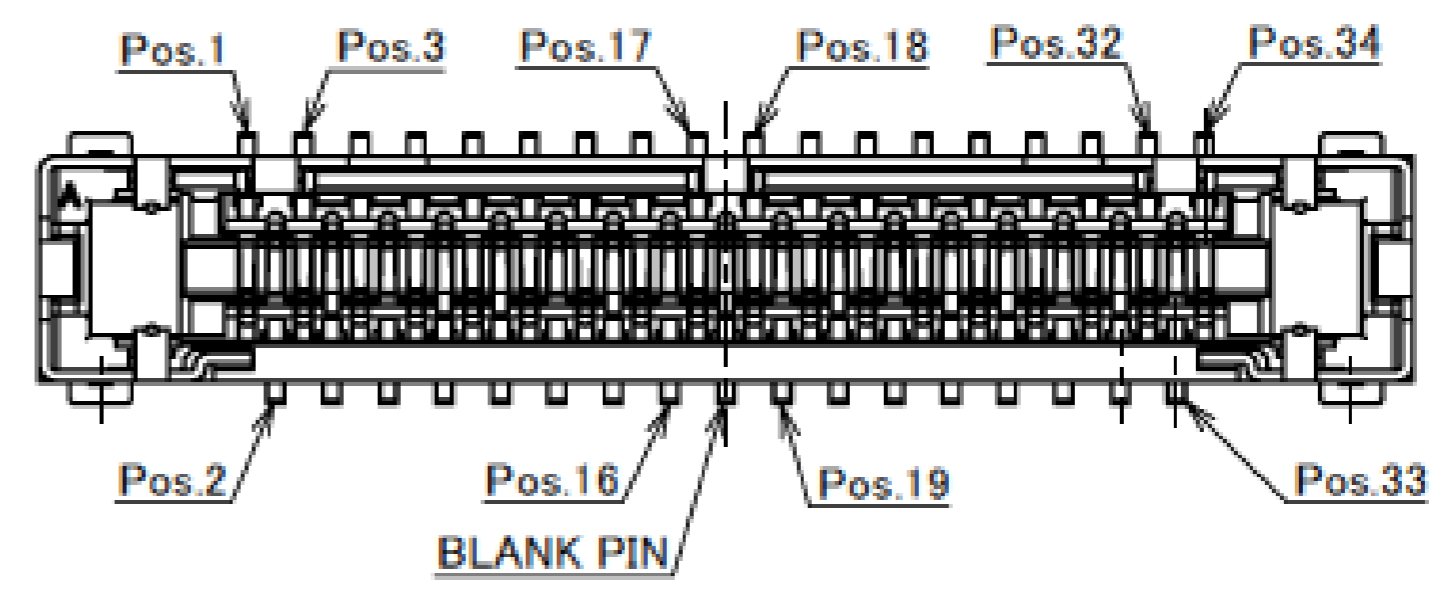
Rev.17

Receptacle Assembly

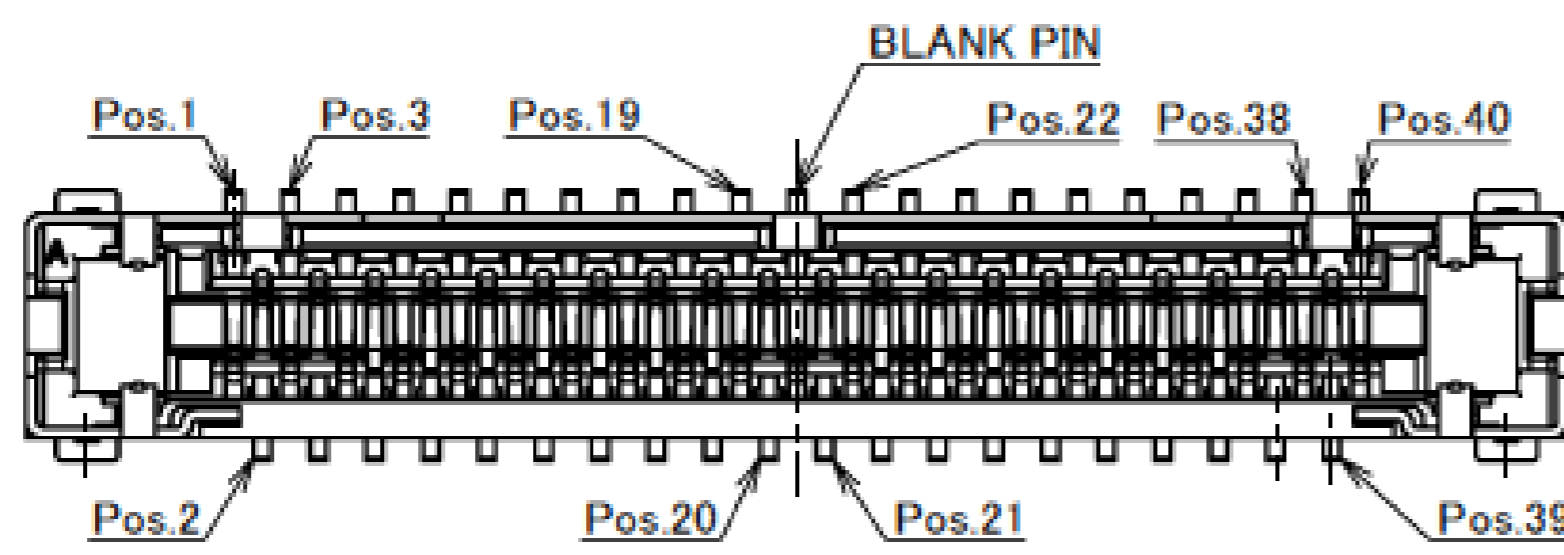
PART No.	Pos
20533-230E	30
20533-234E	34
20533-240E	40
20533-250E	50



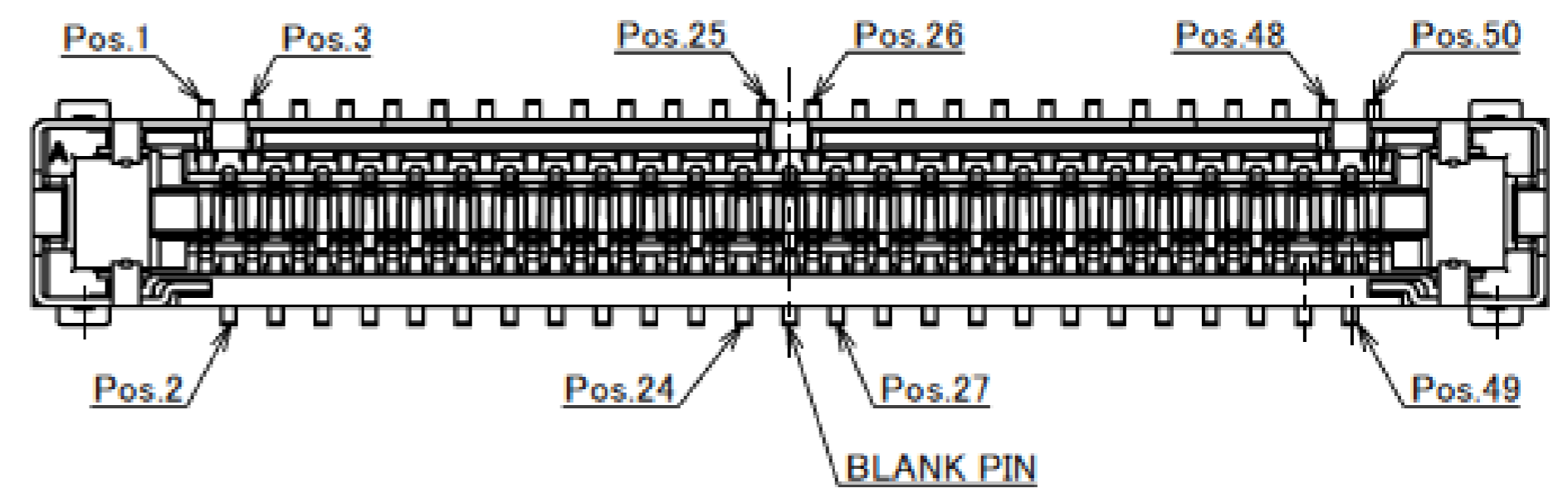
30P CONTACT LAYOUT
(S=10/1)



34P CONTACT LAYOUT
(S=10/1)



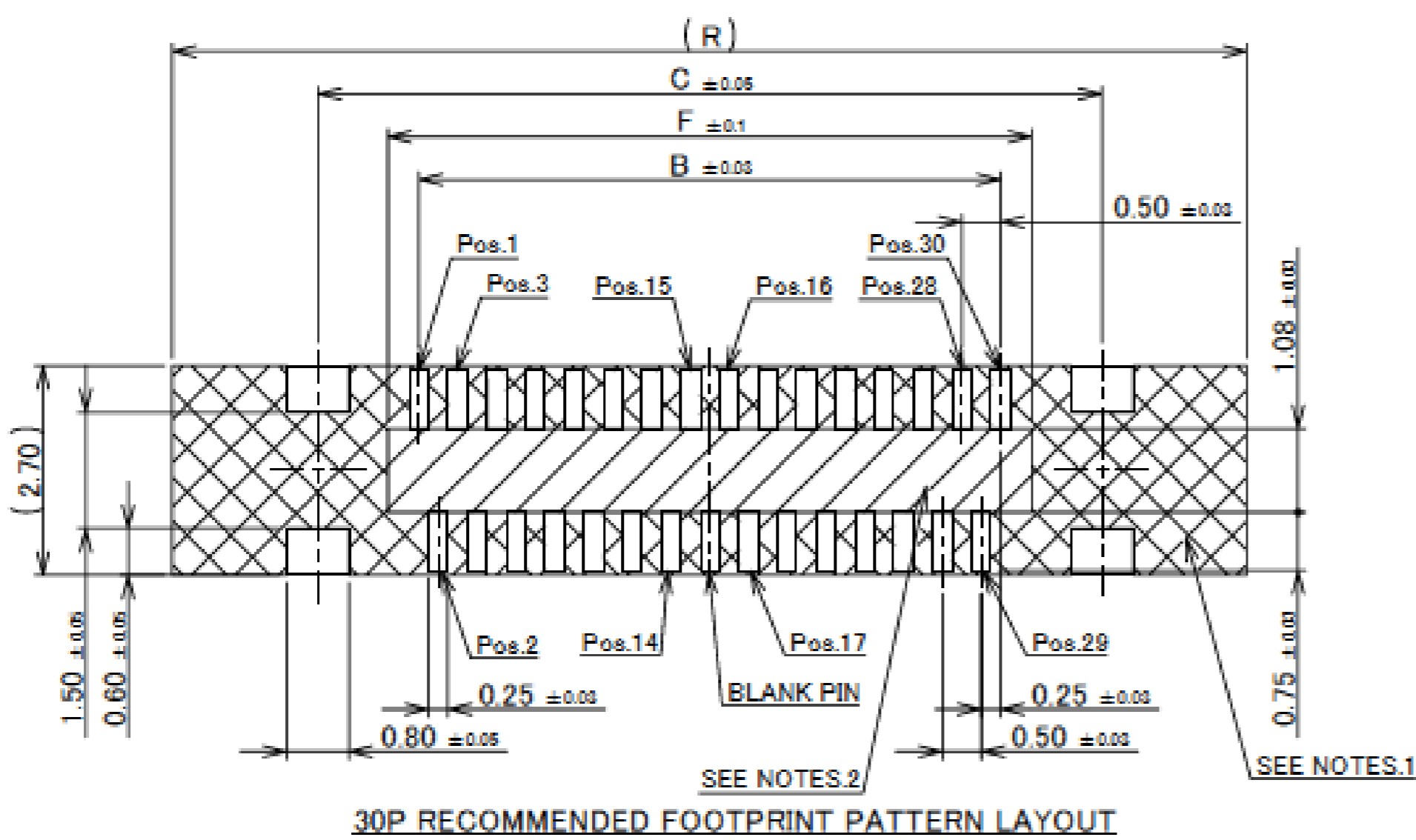
40P CONTACT LAYOUT
(S=10/1)



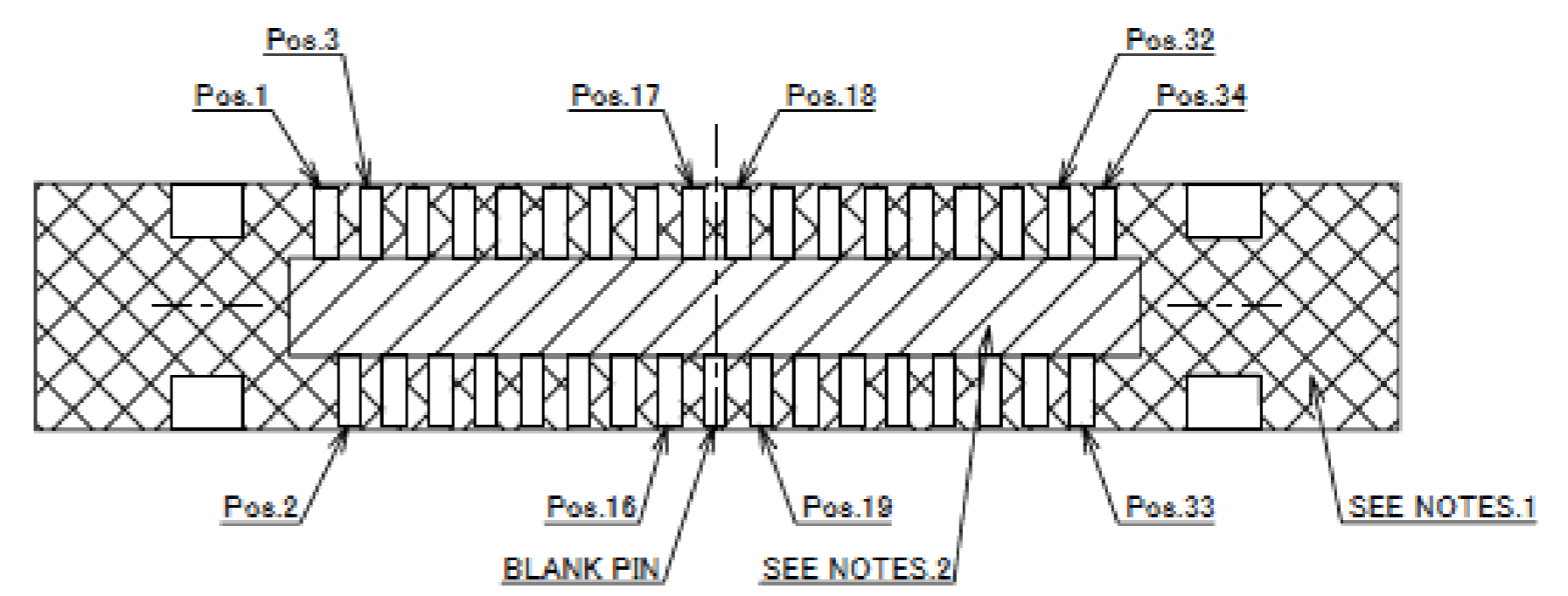
50P CONTACT LAYOUT
(S=10/1)

Rev.17

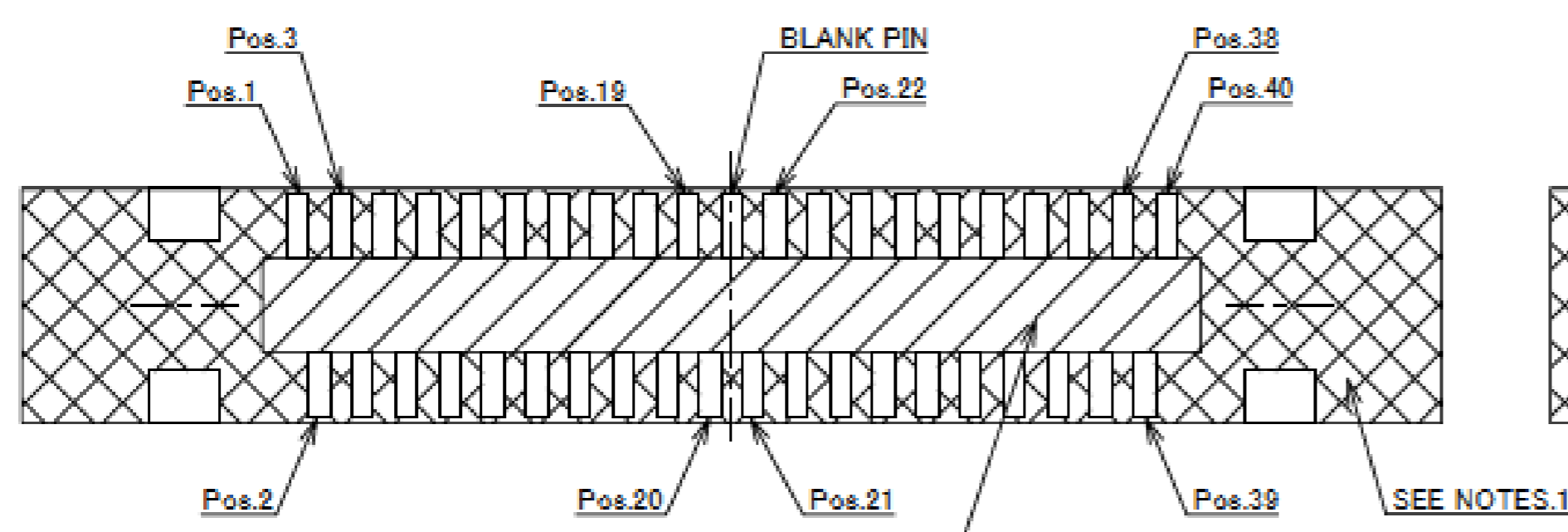
PART No.	Pos	B	C	F	R
20533-230E	30	7.50	10.11	8.30	13.85
20533-234E	34	8.50	11.11	9.30	14.85
20533-240E	40	10.00	12.61	10.80	16.35
20533-250E	50	12.50	15.11	13.30	18.85



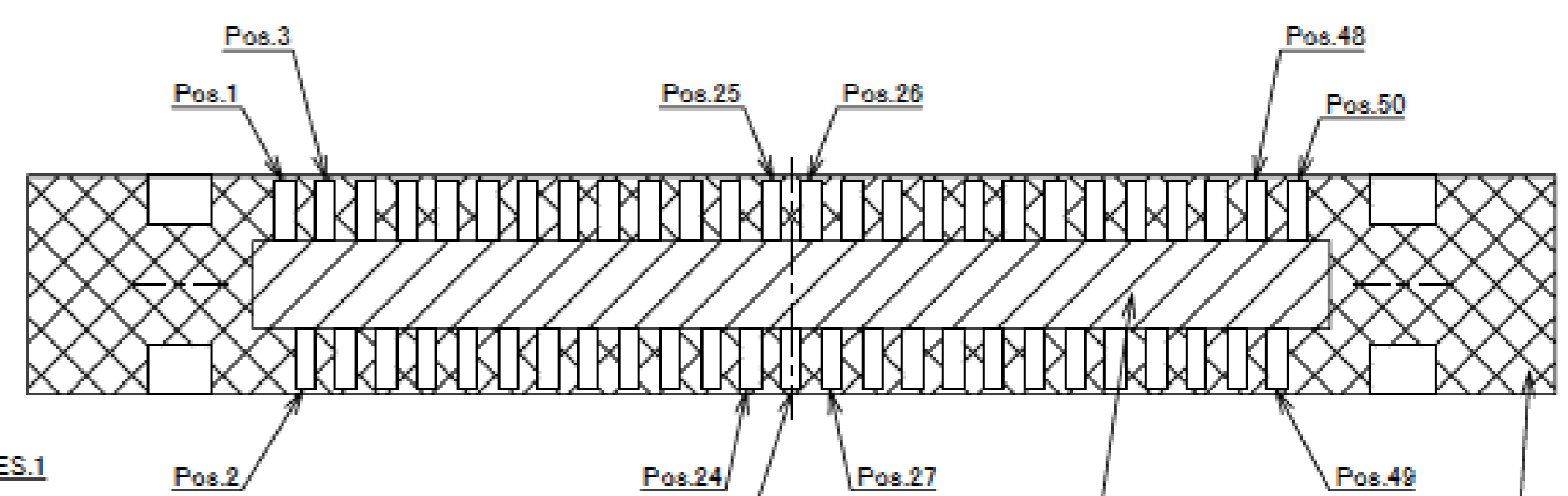
30P RECOMMENDED FOOTPRINT PATTERN LAYOUT



34P RECOMMENDED FOOTPRINT PATTERN LAYOUT



40P RECOMMENDED FOOTPRINT PATTERN LAYOUT



50P RECOMMENDED FOOTPRINT PATTERN LAYOUT

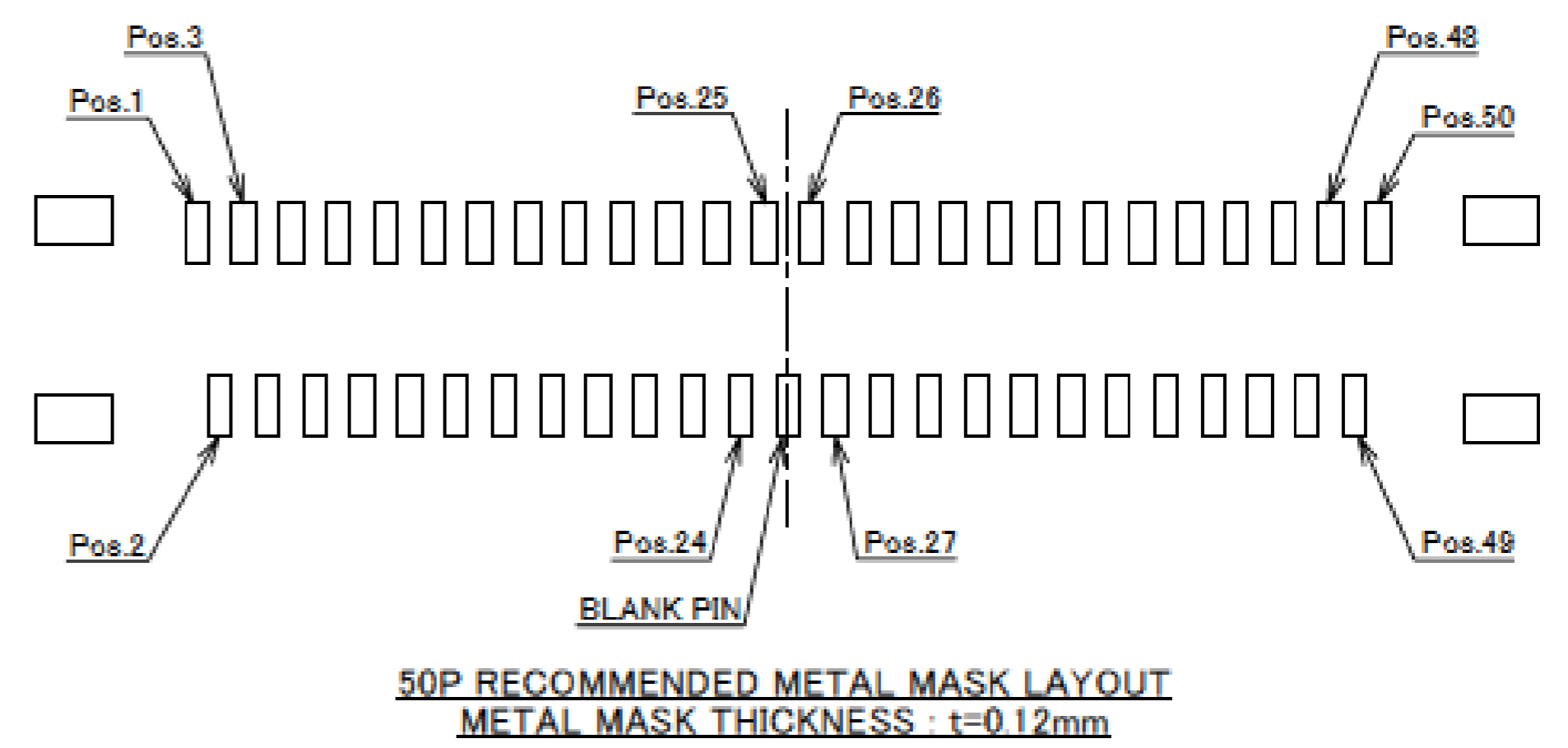
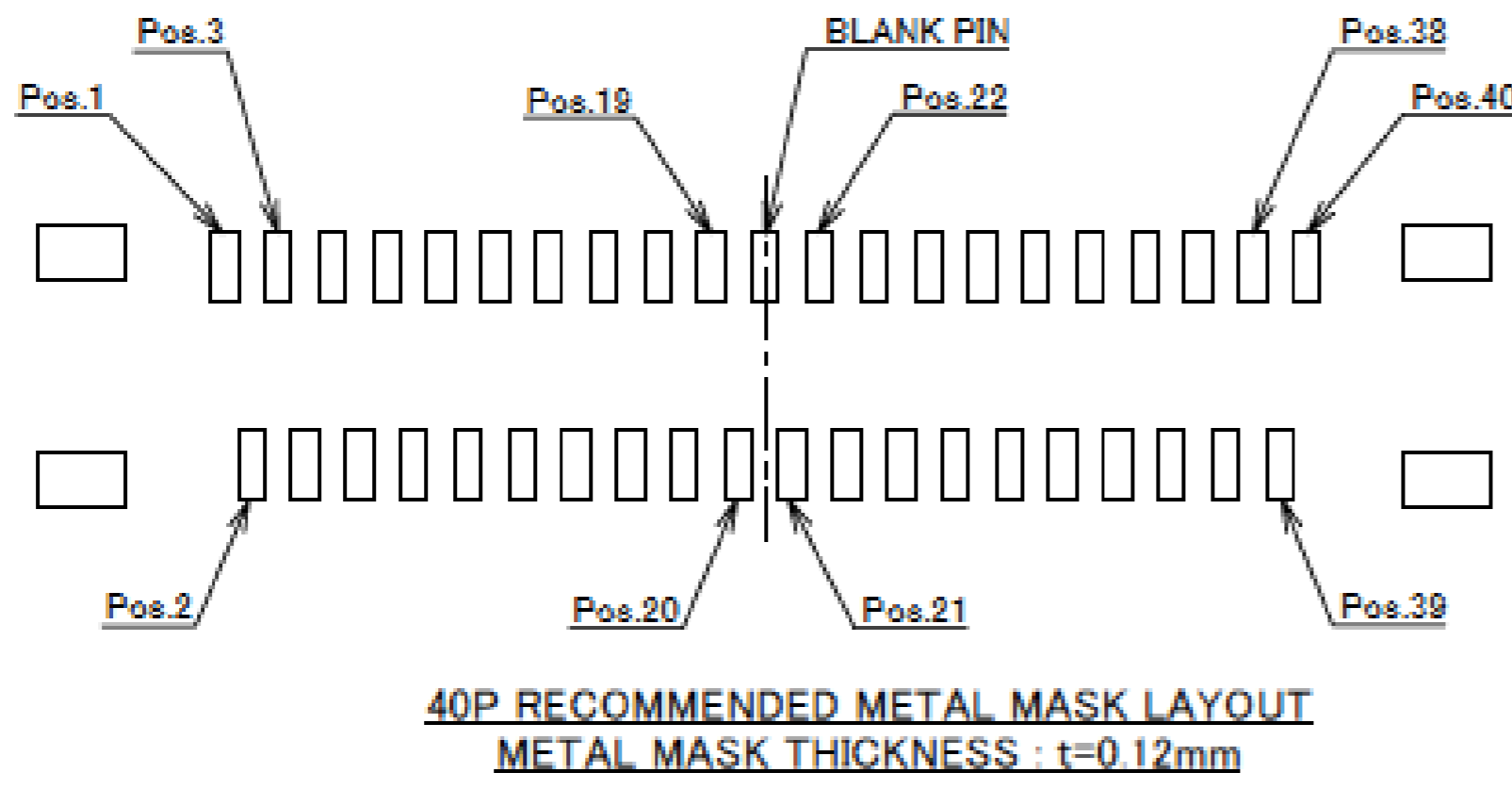
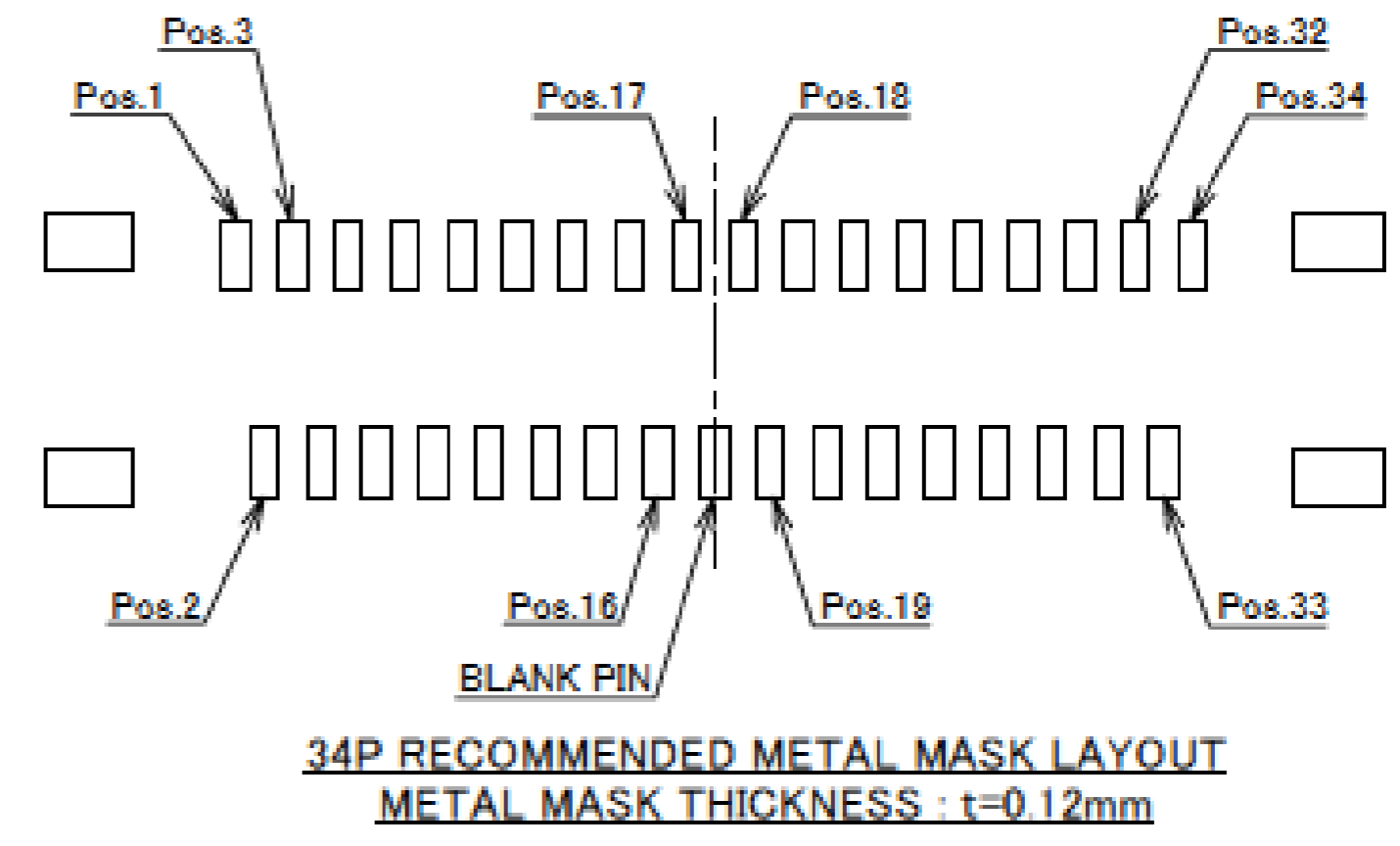
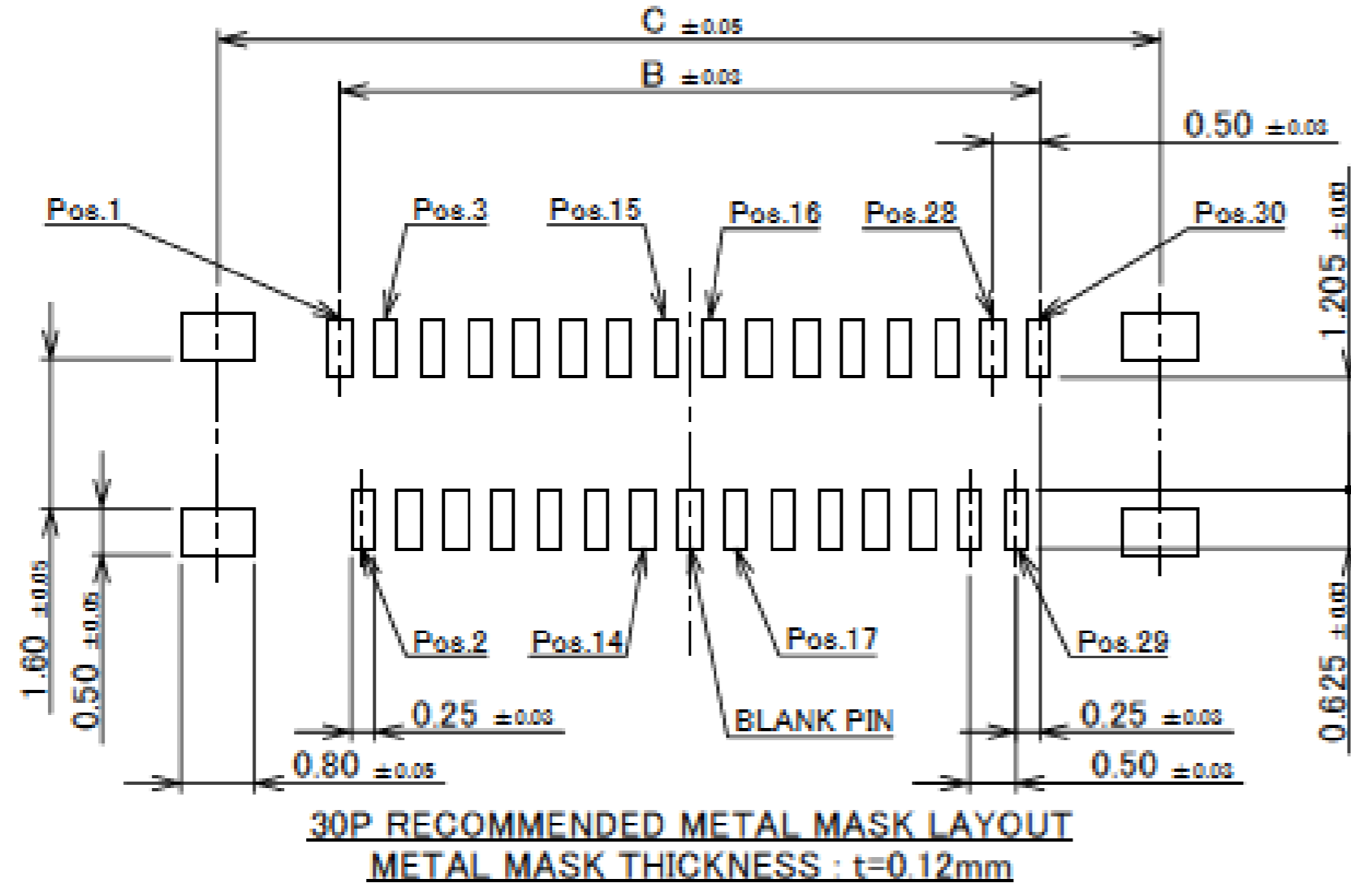
NOTES.

- DO NOT MOUNT ANOTHER COMPONENT IN THIS AREA.
- SOLDER RESIST MUST BE APPLIED TO THIS AREA.

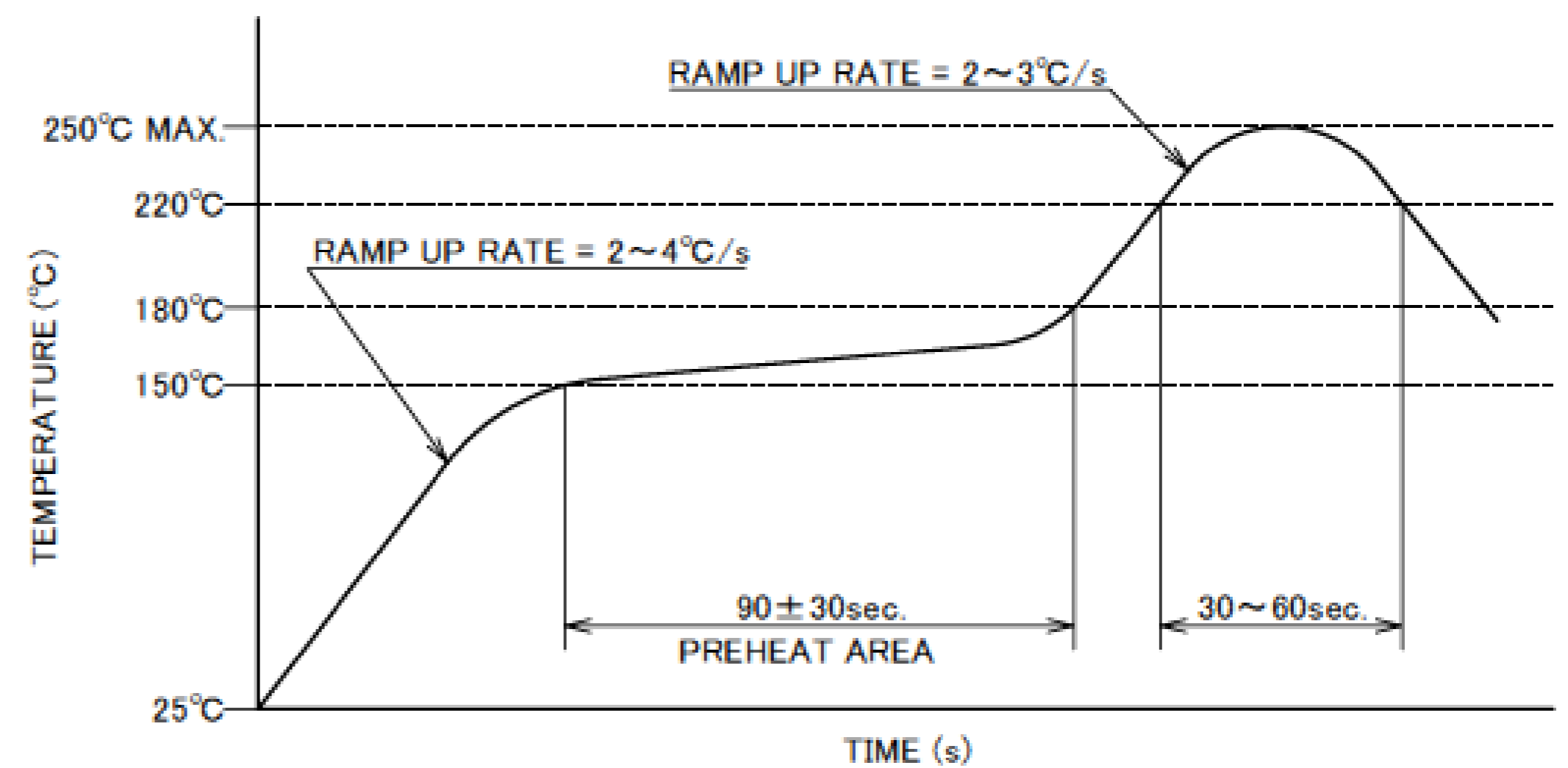
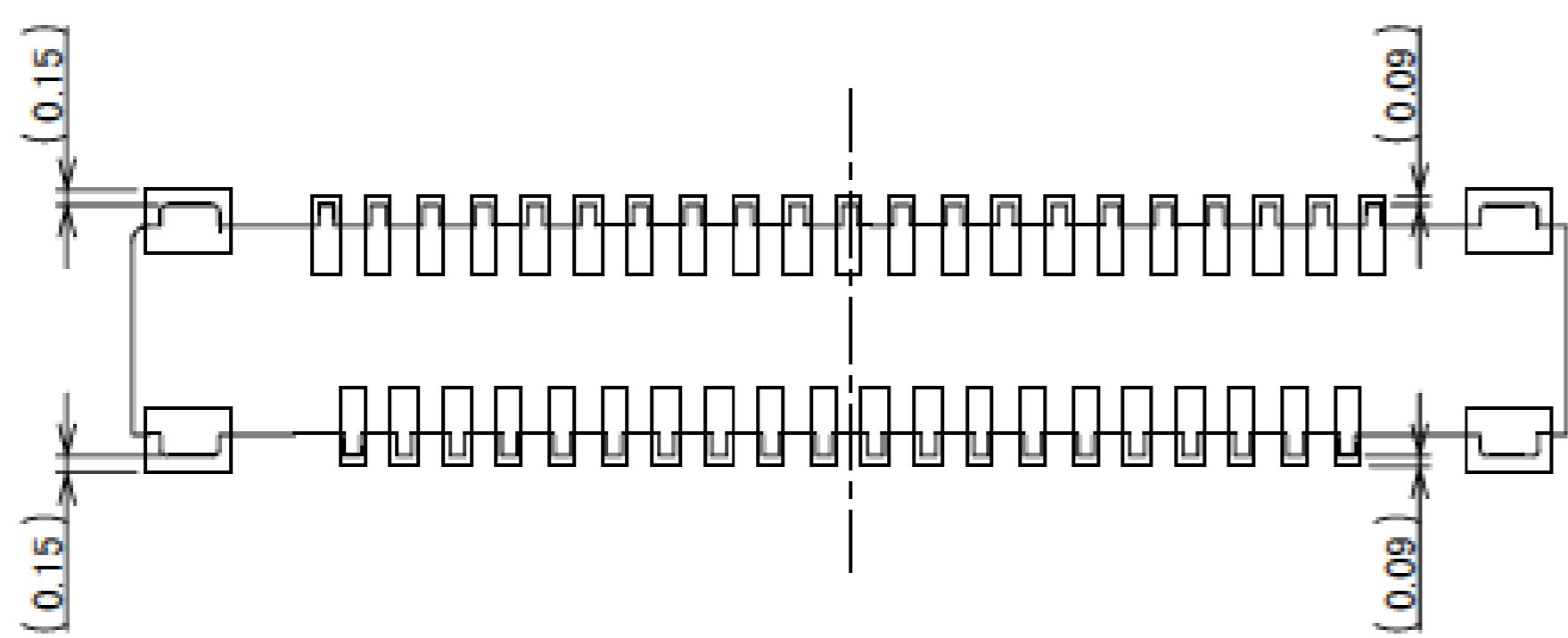
Rev.17

Receptacle Assembly

PART No.	Pos	B	C
20533-230E	30	7.50	10.11
20533-234E	34	8.50	11.11
20533-240E	40	12.61	
20533-250E	50	12.50	15.11



Rev.17



Rev.17

Receptacle Assembly

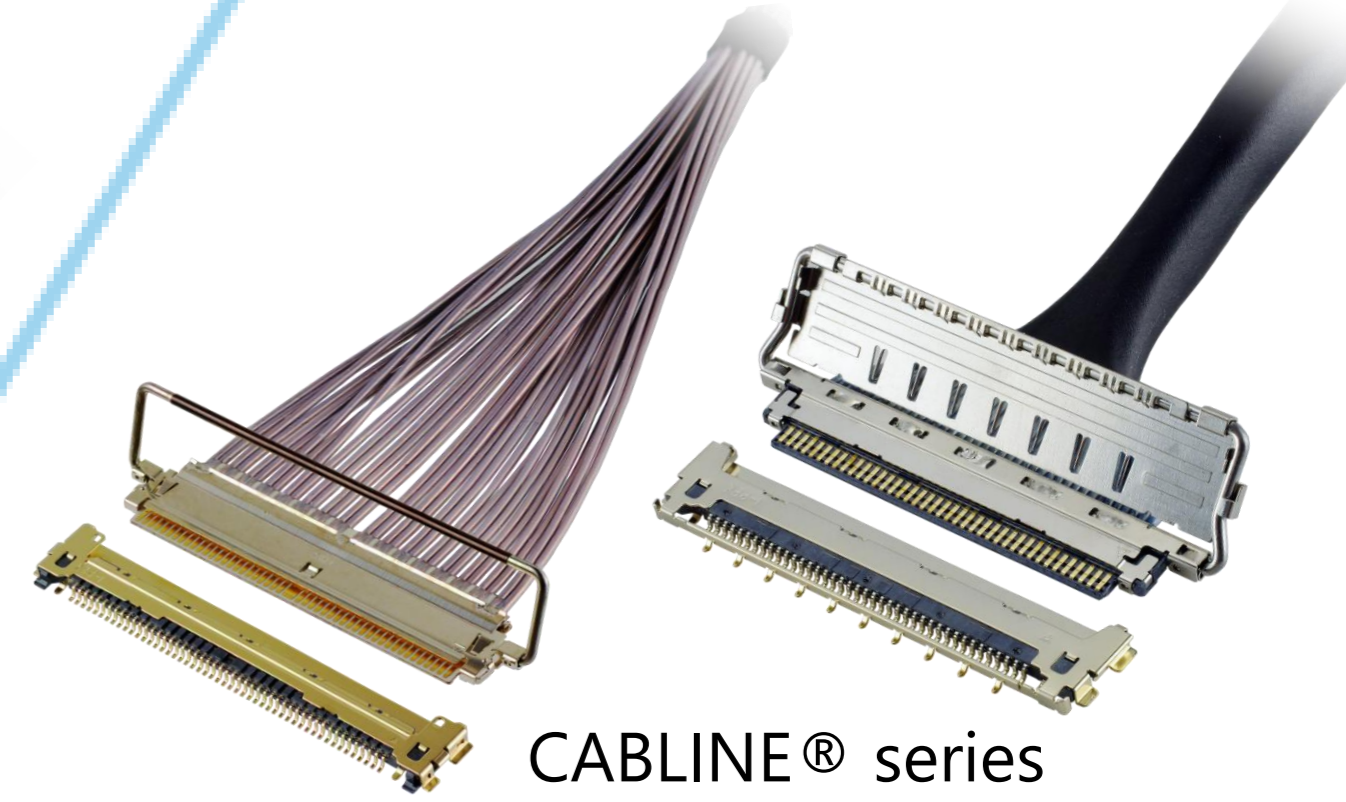
ITEMS	SPECIFICATION
APPLICABLE CABLE	MICRO-COAXIAL CABLE : AWG# 44 ,46 DISCRETE WIRE : AWG#39
RATING VOLTAGE	50V AC (PER CONTACT PIN) ※THIS IS THE RATED VOLTAGE OF THE CONNECTOR. PLEASE NOTE THAT THE RATED VOLTAGE MAY VARY IN THE HARNESS DEPENDING ON THE CABLES USED.
RATING AMPERAGE (FOR CONTACT)	0.50A AC/DC [AWG#39] (PER CONTACT PIN / UP TO 6 CONTACTS) 0.15A AC/DC [AWG#44] 0.10A AC/DC [AWG#46] ※TESTING BY A REAL MACHINE IS RECOMMENDED BECAUSE TEMPERATURE RISE MAY AFFECTED BY ACTUAL SITUATION
OPERATING TEMPERATURE	233~358K(-40°C~+85°C)
OPERATING HUMIDITY	75% MAX.(NON-CONDENSING)
CONTACT RESISTANCE	INITIAL : 450mohm MAX.(AWG#39) 1080mohm MAX.(AWG#44) 1880mohm MAX.(AWG#46) AFTER TEST : \triangleleft40mohm MAX.
GROUND SHELL RESISTANCE	INITIAL : 100mohm MAX. / AFTER TEST : \triangleleft40mohm MAX.
INSULATION RESISTANCE	INITIAL : 100Mohm MIN. / AFTER TEST : 100Mohm MIN.
DIELECTRIC WITHSTANDING VOLTAGE	AC100V 1min
DURABILITY	20 CYCLES
MATING FORCE (INITIAL / AFTER TEST)	30P : 26.4N MAX. 34P : 27.6N MAX. 40P : 29.4N MAX. 50P : 32.4N MAX.
UNMATING FORCE (INITIAL / AFTER TEST)	30P : 1.5N MIN. 34P : 1.9N MIN. 40P : 2.5N MIN. 50P : 3.5N MIN.
CABLE RETENTION FORCE	30P : 15.0N MIN. 34P : 17.0N MIN. 40P : 20.0N MIN. 50P : 25.0N MIN.
COPLANARITY	0.10mm MAX.
PRODUCT SPECIFICATION	PRS-2887
TEST REPORT	TR-24028
INSTRUCTION MANUAL	HIM-10001
PACKING STANDARD	300-874
APPEARANCE CRITERIA No.	QLS-A***

Rev.17

Custom Connectors Available

RF Connectors

MHF® series



CABLINE® series

Micro-Coaxial/Twinaxial Connectors

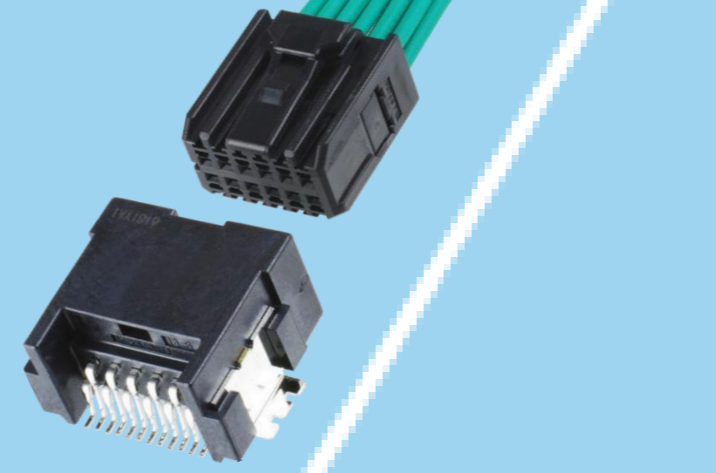


Wire-to-Board Connectors/Terminals

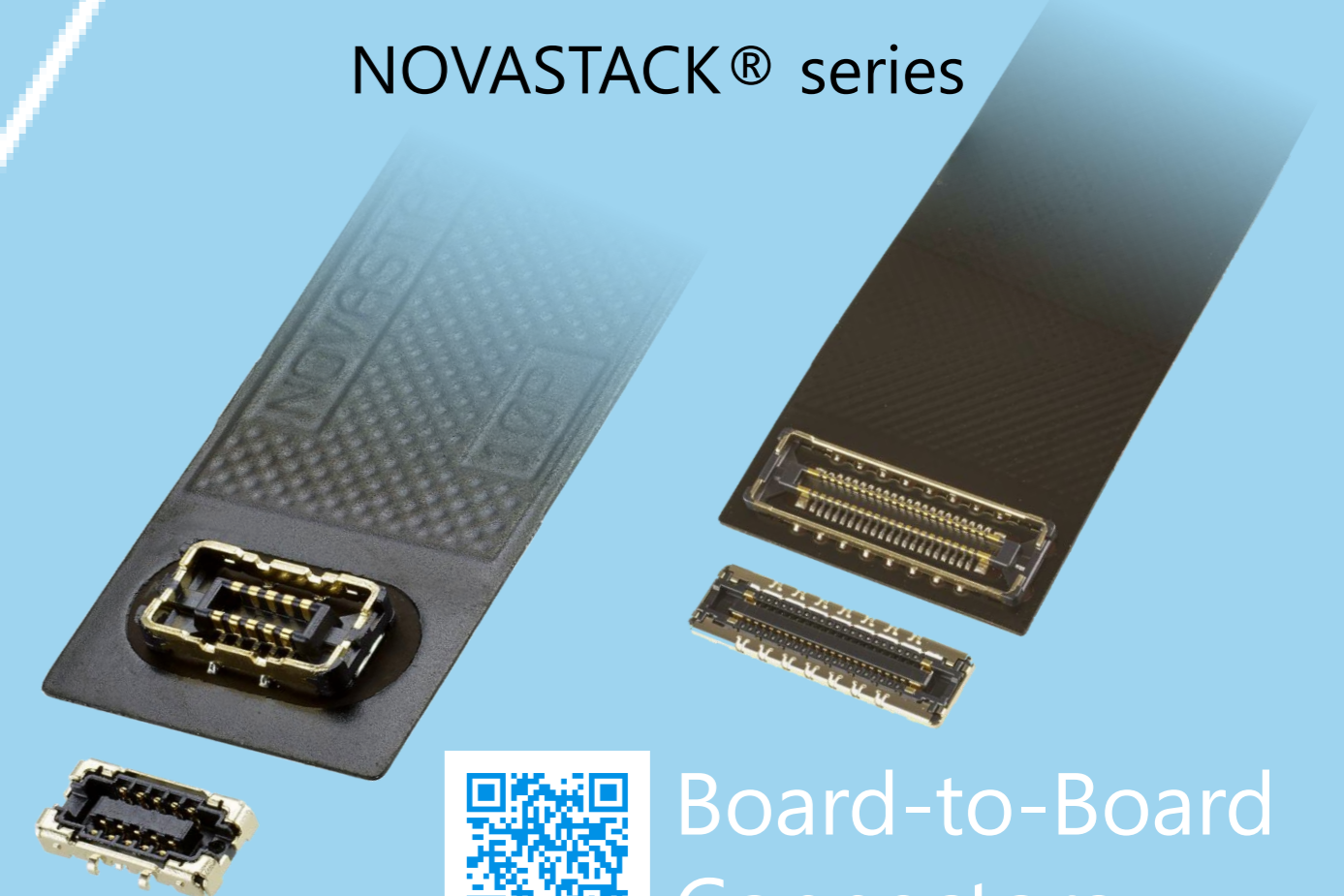
AP series



ISH® series



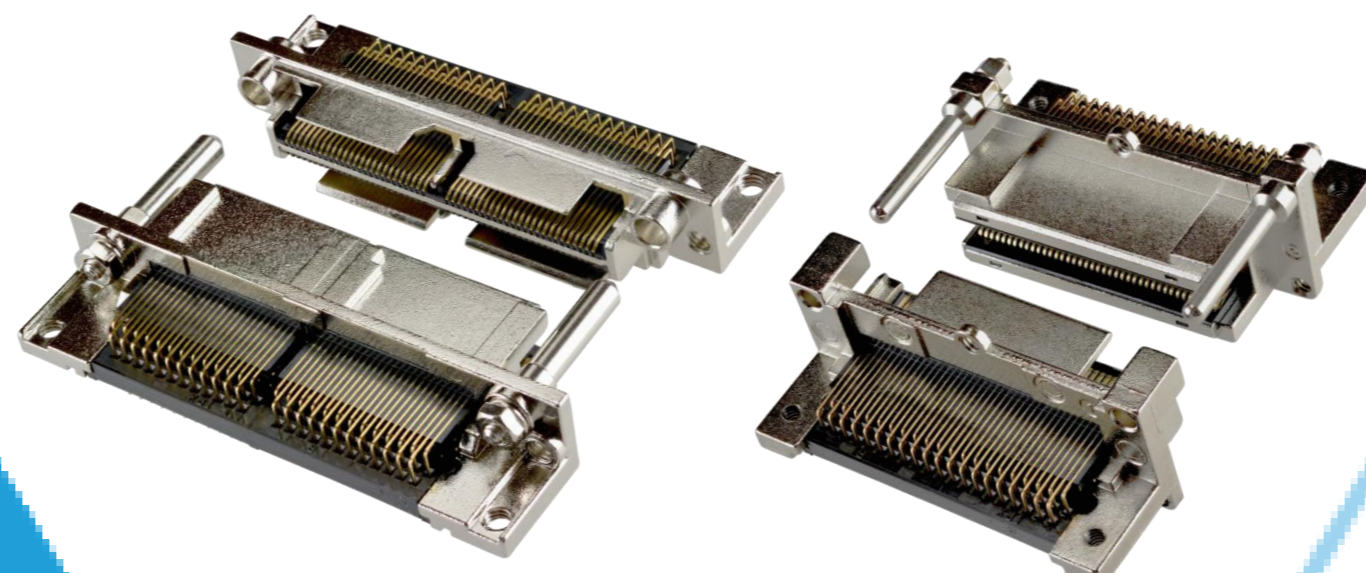
NOVASTACK® series



Board-to-Board Connectors



I/O Connectors



MINIDOCK™ series

MINIFLEX® series EVAFLEX® series



FPC/FFC Connectors



Inquiry



I-PEX, MHF, CABLINE, NOVASTACK, ISH, IARPB, MINIFLEX, EVAFLEX, MINIDOCK, i-Fit and ZenShield are registered trademarks of I-PEX Inc. Please note that the contents in the catalog might be changed without prior notification. I-PEX Inc. assumes no responsibility for any inaccuracies or obligation to update information on these documents. Please be sure to read and understand the latest "Precautions for Use" and "Instruction Manual" before you use our products. We shall not be responsible for any defects, damages or troubles in case you use our products without following the precautions for use. Please feel free to contact our sales representatives when you use our products for any applications that require very high reliability and safety, or that relate to human life (ex. nuclear power control, aerospace, transportation, medical equipment, safety equipment etc.).

Contact your sales representative or more detailed information.

www.i-pex.com



I-PEX

© I-PEX Inc. 2026
All rights reserved